

CERTIFICATE OF PLANT DESIGN REGISTRATION

Work Health & Safety Act 2011
Work Health & Safety Regulation 2017

ABN: 81 913 830 179
Phone: 13 10 50

Registration No: PV 6-218326/17 **Issue Date:** 29/11/2017

Registration Holder: DANFOSS A/S
Postal Address: 81 NORBORGVEJ
NORDBORG 6430
DENMARK

Plant Type: Pressure Vessel Original

Model Number/ Trade Name: 4 Cyl Compressor 3 Phase shell 2

Technical Standard : EN 14276-1:2006 + A1:2011

Engineering Principles: No

Design Description:

| | |
|---------------------------------|---------------------------|
| Hazard Level | C |
| Contents | Harmful |
| Chamber 1 Volume (l) | 31.0 |
| Chamber 1 Design Pressure (kPa) | 0 to 2260 |
| Chamber 1 Temperature (°C) | -35 to +50 |
| Chamber 1 Fluid Type | Gas |
| Drawing Number & Revisions | 9804036_157 Rev A |
| Pressure Vessel | Other |
| Other Type | HERMETIC COMPRESSOR SHELL |
| Number of Chambers | 1 |

Note: The design of an item of plant registered under the Occupational Health and Safety Regulation immediately before the repeal of that regulation is deemed to have been registered under part 5.3 of the WHS Regulation

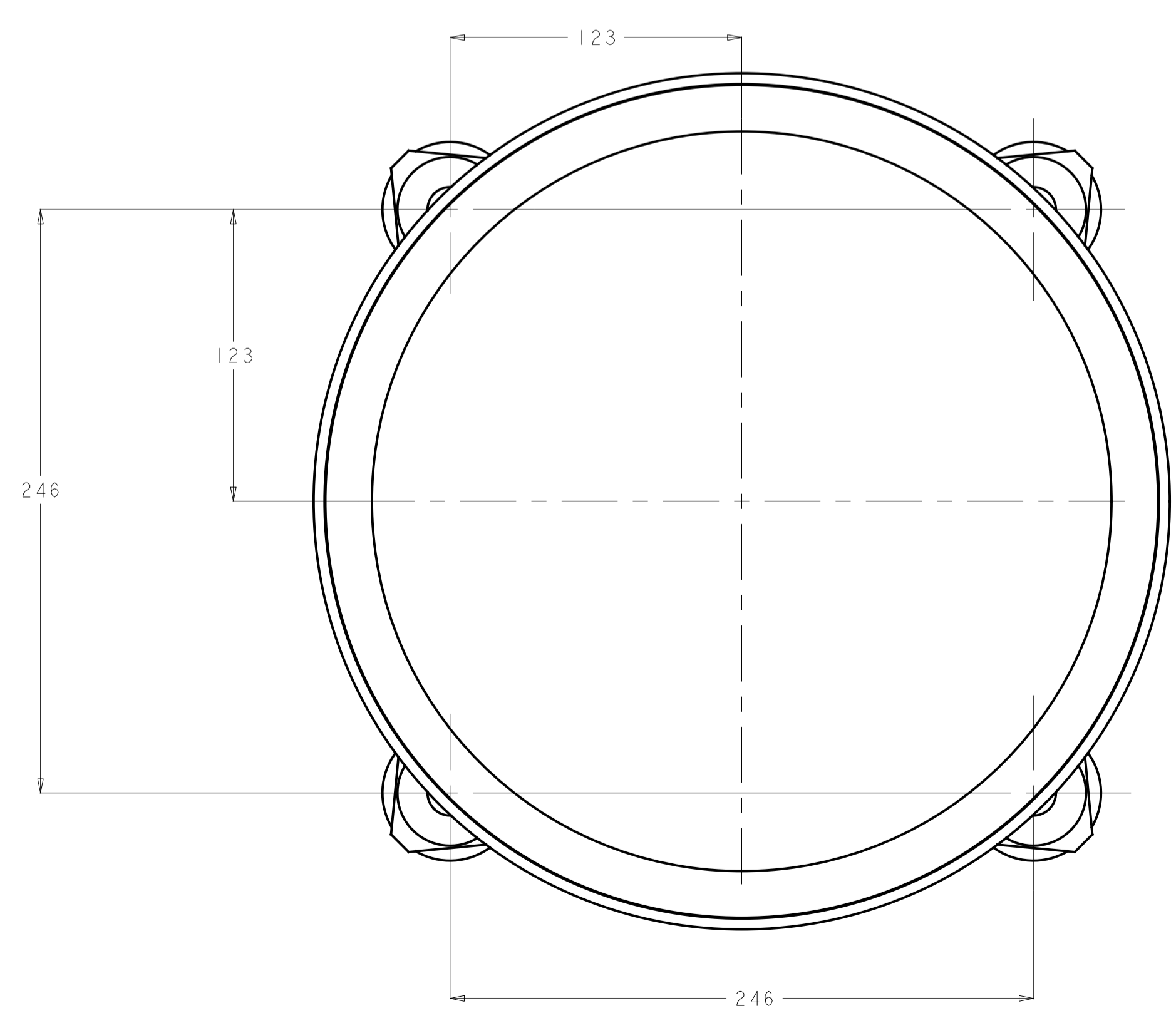
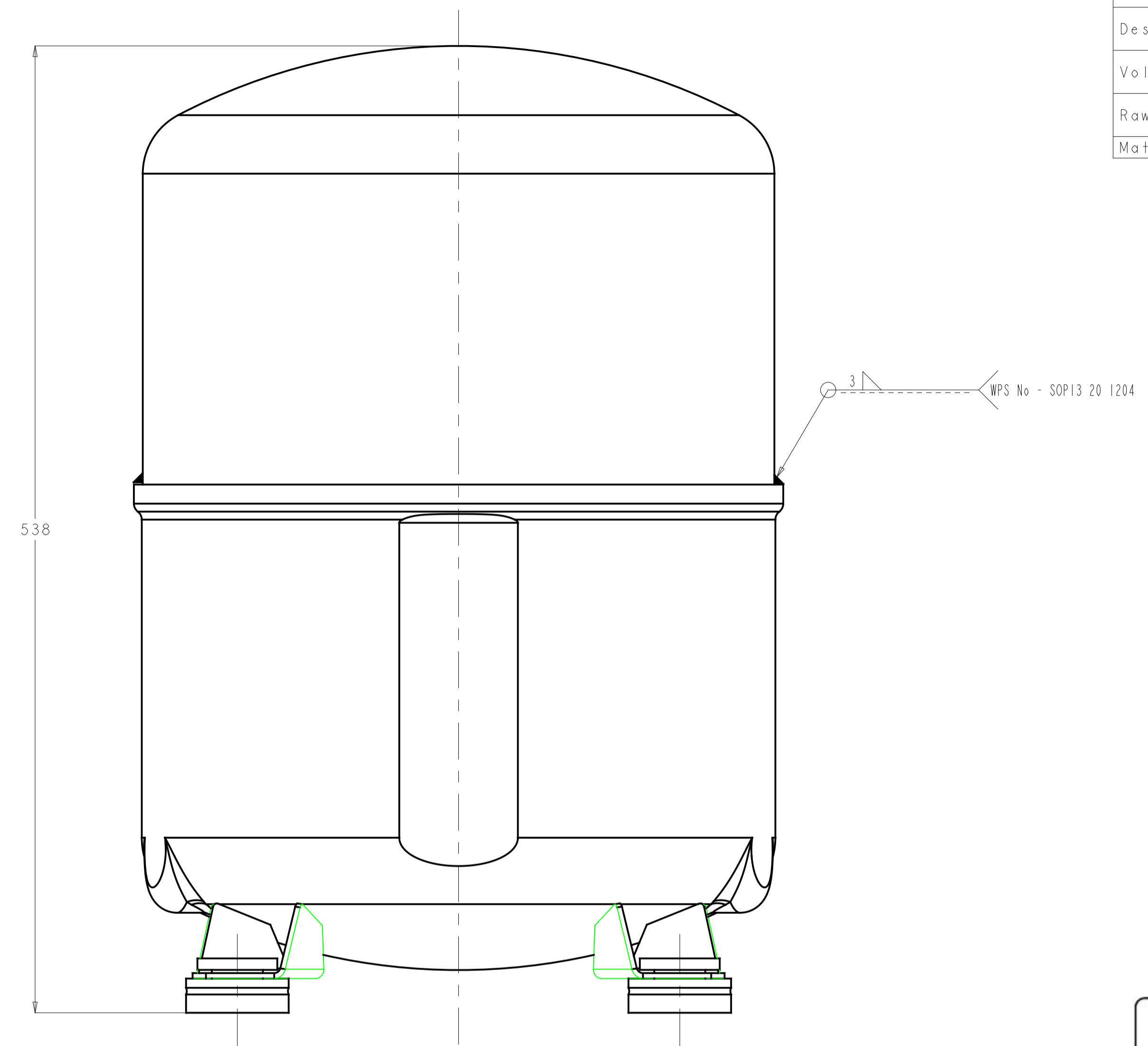
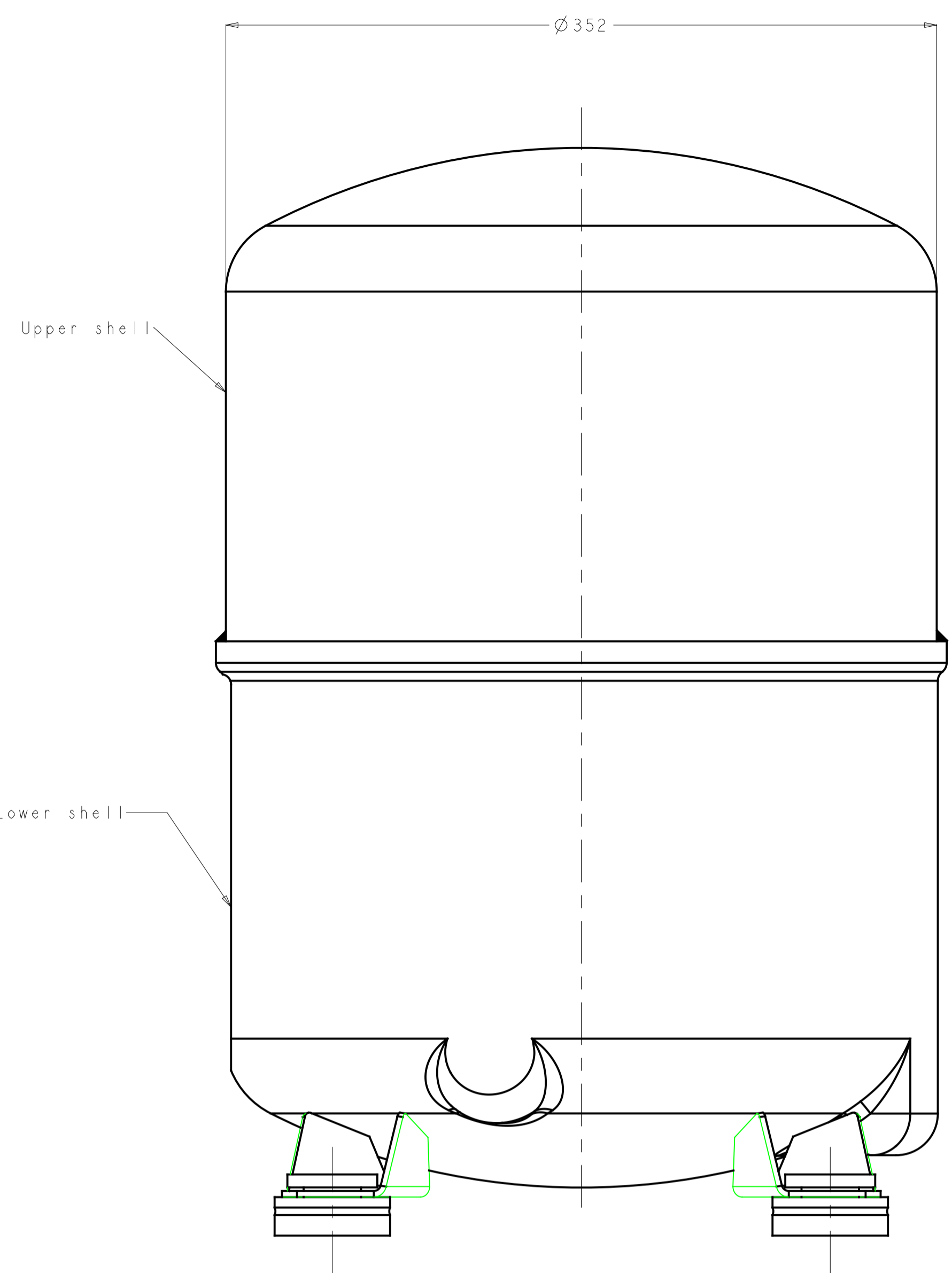
This SafeWork NSW certificate is a reissue or amendment of a certificate which may have been originally issued under our former name of WorkCover NSW.

Fee Paid: \$279.11

Receipt Date: 15/11/2017

Receipt No: 30-9361

| | | |
|------------------------------|--------------------------|--------|
| Design code | EN 13445 EN 14276-1 | |
| AS 4343 Hazard Level | C | |
| Design temperature in °C | HP | 68 |
| | LP | 50 |
| Design pressure in bar | HP | 29.4 |
| | LP | 22.6 |
| Volume in litre | HP | 1.2 |
| | LP | 31 |
| Raw material Shell thickness | Upper shell | 3.2 mm |
| | Lower shell | 3.5 mm |
| Material grade for shell | Steel sheet EN10111-DD13 | |



COMPRESSOR MODELS:
MT/MTZ144/160 - 3/4/6/7/9

Example of name plate

Compressor **Danfoss**
MADE IN FRANCE

ModelNo: MTZ22JC9AVE 380 V 3~ 60 Hz
LR 22,5A 6A MAX

SerialNo: FB1007215698 THERMALLY PROTECTED
LP side

Refrigerant: R407A/C/F R134a-r404A-R507 PS 22.6bar
Ts max 50°C
Ts min -35°C
Lubricant: P.O.E. 160PZ

WARNING **CAUTION**

Installation and servicing shall be performed by trained personnel only. Failure to observe these safety warnings could result in serious injury or death.
ELECTRIC SHOCK HAZARD: Turn off power before servicing. (Discharge all capacitors.)
Keep terminal cover in place and securely fastened whenever power is applied to the compressor. Use this equipment on a grounded system only.
HIGH PRESSURE: System contains refrigerant and oil under pressure. Remove pressure from both the high and low side before servicing, wear safety goggles.
FIRE HAZARD: Use tubing cutter to remove compressor. Do not use torch as oil may catch fire.

Use only manufacturer's approved refrigerants, lubricants and electrical components. Unauthorized refrigerant / lubricant / electrical component could cause res, explosions, electrical shorting.

For details refer to multi language instructions and technical documentation available on Danfoss website at <http://cc.danfoss.com>

Danfoss A/S, 6430 Nordborg, Denmark
600117001

| | | | | | |
|--------------------------|---|---------------------|--------------------------------|---------------------|--|
| General Tolerances Table | Drawing Status : Final | | Surface Area (m ²) | Estimated Mass (kg) | Key characteristic Critical characteristic According to Danfoss standard 50220024 |
| | ±1 ±1' | Projection | Scale 1/2 | Size A1 | |
| Roughness (µm) | A | Creation 26-07-2016 | Danfoss | | Designation |
| Revision | ECR Number | Date | | | 4 Cyl Compressor 3 Phase shell 2 |
| Designer | RAS | | | | |
| Approval | KAR | | | | |
| ISO 8015 ISO 1101 | Confidential: Property of Danfoss Commercial Compressors. Not to be handed over to copied or used by third party. Two or three dimensional reproduction of contents to be authorized by Danfoss CC. | | | | Sheet 1 of 1 A.9 Dwg N° 9804036 157 |