



# 20%

## energy savings

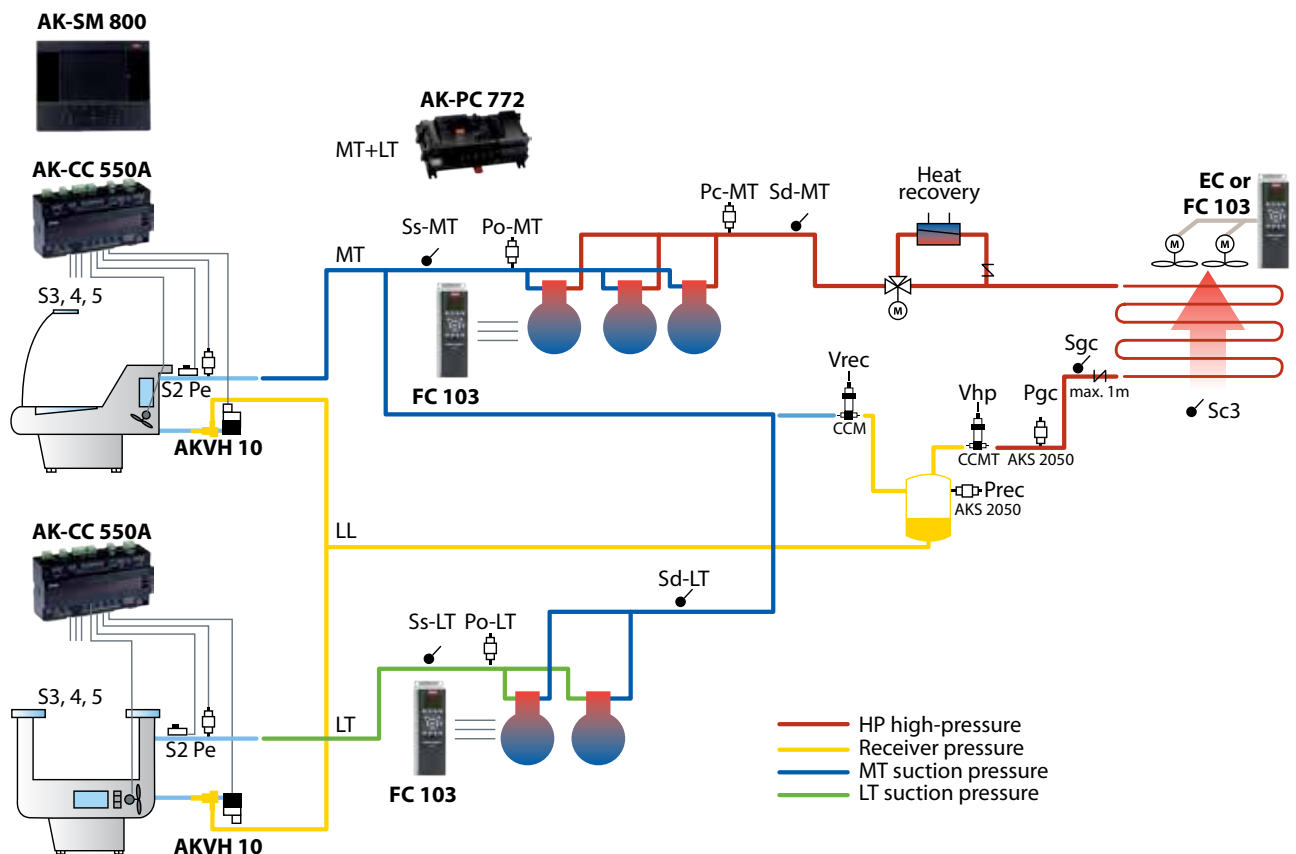
when choosing a suitable system with CO<sub>2</sub> compared to traditional systems with HFCs.

## Transcritical CO<sub>2</sub> mini-booster controller for convenience and discount stores

- \* Robust performance and proven transcritical control algorithms
- \* More than 10 years field experience
- \* Dedicated controller optimized for small stores with CO<sub>2</sub> Refrigeration systems
- \* Graphical display for on-site supervision and service, improved user interface
- \* Increased energy efficiency through COP optimization and easy-to-set up heat reclaim
- \* Makes CO<sub>2</sub> transcritical systems easy to operate, safe and affordable



# AK-PC 772 Controller for transcritical CO<sub>2</sub> mini-booster packs



## A cost-effective control solution integrating:

- High-pressure and receiver control (CO<sub>2</sub>) with COP optimization
- Compressor and condenser capacity control (Gas Cooler)
- Multi-speed control (lead compressor, fan)
- Energy-effective heat reclaim for hot tap water and store heating

## Complete ADAP-KOOL® solution for small stores:

- **AK-SM 800** series - System Manager for monitoring and system optimization of complete refrigeration systems, including alarm and HACCP monitoring; WEB server for remote supervision and service
- **AK-PC 772** - Pack control for 3 MT and 2 LT CO<sub>2</sub> compressors, integrated high-pressure receiver and gas cooler control, as well as heat reclaim
- **AK-CC 550A** - Display Case and Room Controller, including ADAP-KOOL® Adaptive Superheat Control with electronic expansion valve type AKVH 10 for CO<sub>2</sub>