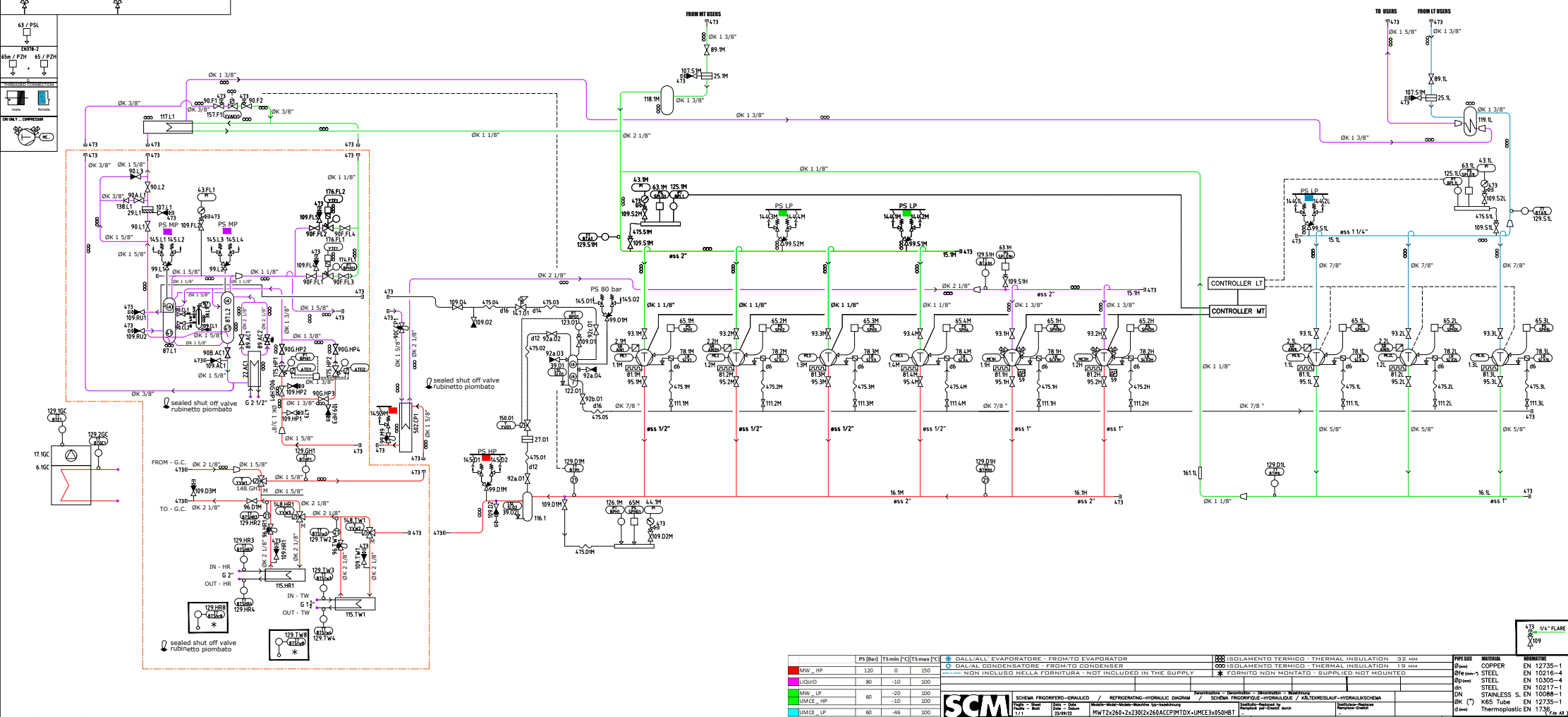
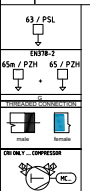
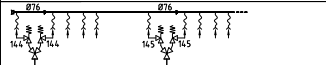


"sezione valida fino a 10 m di lunghezza, equivalente di tubazione, scarico in atmosfera"
 "discharge section suitable up to 10m equivalent length, atmospheric pressure"



— SUPPLIED IN SEPARATE FRAME

	PS [Bar]	T5 min [°C]	T3 max [°C]	T4 max [°C]														
MW_HP	120	0	150															
LIQUID	80	-10	100															
MW_LP	60	-20	100															
UMCE_HP	60	-10	100															
UMCE_LP	60	-40	100															
OK	80	0	100															

DALL'ALL EVAPORATORE - FROM TO EVAPORATOR DAL/LAL CONDENSATORE - FROM TO CONDENSER NGN INCLUSO NELLA FORNITURA - NOT INCLUDED IN THE SUPPLY FORNITO NGN MONTATO - SUPPLIED NOT MOUNTED	ISOLAMENTO TERMICO - THERMAL INSULATION 32 mm ISOLAMENTO TERMICO - THERMAL INSULATION 118 mm	RIFERIRE MATERIE 06mm COPPER EN 12275-1 06mm STEEL EN 10216-4 09mm STEEL EN 10305-4 06mm STEEL EN 10217-1 DN STAINLESS S. EN 10088-1 OK () K05 Tube EN 12735-1 06mm Thermoplastic EN 1736 (Fid. A3)
---	---	---

SCM Schema frigorifero-idraulico / REFRIGERATING-HYDRAULIC DIAGRAM Schema frigorifero-idraulico / KALTREISLAUF-HYDRAULISCHESchema Project - Name: 171 Date: 20/09/23 Version: 01 Project - Description: MW T2x260+2x230+2x260 ACCPMTDX+UMCE 3x050HBT Project - Client: FRID053B	Elaborato/Elaborated by: [Name] Verificato/Checked by: [Name] Approvato/Approved by: [Name]	0 ELENCO L.T.G. AGGIORNATO SONDE Rev. Description - Description - Beschreibung	S.D. Date: [Date] Drawn by: [Name] Checked by: [Name]
---	---	---	--