

Application Guideline

PED and EN378



Content	Page
Introduction of PED	3-5
EN378	6
System evaluation	6-8
Technical data and hazard category classification	
Vessels	
Filter dryers	8
Oil separators/reservoirs	9
Suction accumulators	9
Pressure accessories	
Safety and pressure switches	10
Fan speed controls	10
Pressure transmitters	10
Mechanical and electronic expansion valves	11
Solenoid valves	11
Pressure regulators	11
Ball valves	11
Shut-off valves	11
Adapters	11
Statement, final strength pressure test	12
Declaration of conformity, Overview	13
Vessels	
Oil separators	14-15
Suction accumulators	16-18
Filter dryer shells	19-25
Hermetic filter dryers	26-27
Pressure accessories	
Safety pressure switches	28-30
Electronic expansion valves	31-32
Mechanical expansion valves	33
Solenoid valves	34-36
Ball valves	37-38
Shut-off valves	39-45
Pressure regulators	46
Sight glasses	47-48
Adapters	50

Author: Ali R. Nejad
Product Manager
Tel. : (49)-7151-509 0
Fax: (49)-7151-509200

ALCO CONTROLS - Emerson Electric GmbH & Co
Heerstraße 111
D-71332 Waiblingen
Germany
Phone ...49-7151-509-0 - Fax ...49-7151-509-200
www.alco-controls.com



PED (Pressure Equipment Directive)

The Pressure Equipment Directive (PED) becomes effective among EFTA (European Free Trade Association) members from May 29th, 2002. After this date, CE-marked components, assemblies and complete systems must be complying with PED. This directive has been established for enabling free movement of products and equipment within EFTA countries by applying:

- Harmonised essential safety requirements at European level for products and equipment with hazardous internal pressure/fluid
- Harmonised conformity assessments
- CE marking of product and declaration by manufacturer for presumption of conformity

Application

The directive applies to design, manufacturing, quality and conformity assessment of pressure equipment and assemblies having an internal working pressure above 0.5 bar.

Scope of PED

Pressure equipment means vessels, piping, heat exchanger, safety and pressure accessories.

The following ALCO products fall under scope of PED:

- Vessels such as filter dryers, oil separators, suction accumulators
- Pressure accessories with safety function such as safety pressure switches
- Pressure accessories without safety function such as valves, sight glasses

The following products are excluded from PED and covered by other directives:

- Pressure switches without safety function under *low voltage directive*
- Explosion proofed type pressure switches under *directive for potentially explosive atmospheres (ATEX)*.

Hazard categories

There are five categories per definition of PED:

- SEP (Sound Engineering Practice of member state) according to article 3.3
- Category I
- Category II
- Category III
- Category IV

Determination of Hazard categories for ALCO products

Internal net volume of vessels or connection size of pressure accessories in combination with type of fluid and maximum working pressure will determine the hazard category of each product.

Note: safety pressure accessories fall under highest hazard category regardless of connection size and fluid type.

There are two group of fluid as dangerous fluid (fluid group I) and safe fluid (fluid group II).

Note: The following tables cover only fluid in state of gas/vapour or liquid/gas/vapour. Refrigerants in refrigeration circuits will not be assumed as pure liquid fluid.

Table 1: Hazard category determination for vessels (filter, filter dryers, receiver, oil separators, accumulators, plate/shell and tube heat exchanger, hermetic compressors)

Fluid	PS, bar	V, Liter	PS*V	Category
Group 1	PS ≤ 0.5	-	-	Excluded from PED
	0.5 < PS ≤ 200	V ≤ 1	-	SEP
		V > 1	PS*V ≤ 25	SEP
			25 < PS*V ≤ 50	I
	50 < PS*V ≤ 200	II		
	200 < PS ≤ 1000	V ≤ 1	-	III
	PS ≤ 1000	V > 1	200 < PS*V ≤ 1000	III
1000 < PS*V			IV	
1000 < PS	-	-	IV	
Group 2	PS ≤ 0.5	-	-	Excluded from PED
	0.5 < PS ≤ 1000	V ≤ 1	-	SEP
		V > 1	PS*V ≤ 50	SEP
			50 < PS*V ≤ 200	I
	200 < PS*V ≤ 1000	II		
	1000 < PS ≤ 3000	V ≤ 1	-	III
	0.5 < PS ≤ 4	V > 1	1000 < PS*V ≤ 3000	III
			1000 < PS*V	III
			3000 < PS*V	IV
4 < PS	-	-	IV	
3000 < PS	-	-	IV	

Hermetic compressor under category I can be excluded from PED as long as low voltage directive has been applied.



Table 2: Hazard category determination for piping (tubes / coils) and pressure accessories (valves, regulators, pressure switches, sight glasses and fittings)

Fluid	PS, bar	DN, mm	PS*DN	Category
Group 1	PS ≤ 0.5	-	-	Excluded from PED
	0.5 < PS	DN ≤ 25	-	SEP
		25 < DN ≤ 100	PS*DN ≤ 1000	I
		100 < DN ≤ 350	1000 < PS*DN ≤ 3500	II
		350 < DN	3500 < PS*DN	III
Group 2	PS ≤ 0.5	-	-	Excluded from PED
	0.5 < PS	DN ≤ 32	-	SEP
		-	PS*DN ≤ 1000	SEP
		32 < DN ≤ 100	1000 < PS*DN ≤ 3500	I
		100 < DN ≤ 250	3500 < PS*V ≤ 5000	II
		250 < DN	5000 < DN	III

Note: Electrical operated accessories such as low pressure/fan cycling switches etc. are excluded from PED as long as they are covered under low voltage directive.

Safety devices such as high pressure switches, pressure relief valves etc. have highest category i.e.

IV due to their safety functions, however the category of the safety devices in system will be determined based on the category of the components, assemblies they have to protect. This category should be as minimum equal the category of the protected component, assemblies.

Conformity assessment

Based on type of hazard category, one and/or two modules can be applied. ALCO products have been passed an assessment as follows:

Category I: Module A or
Module D1

Category II: Module D1 or
Module A1

Category III: ALCO products do not fall under this category
Category IV: Modules B + D for safety pressure switches
See table 8 and 9.

Table 3: Overview of PED requirement in general

Requirement according to PED	Hazard category					
	-	I	II	III	IV	
Hazard analysis	SEP *	X	X	X	X	
Material documentation, EN10204 type 2.2		X				
Material documentation, EN10204, type 3.1			X	X	X	
Material requirement		X	X	X	X	
Material traceability		X	X	X	X	
Design under manufacturer responsibility		X	X			
Design approved by notified body				X	X	
Quality system under manufacturer responsibility		X				
Quality system approved by notified body			X	X	X	
Welder/brazer approval by notified body			X	X	X	
Welding/brazing procedure approved by notified body			X	X	X	
Requirement for labelling of products		X	X	X	X	
Requirement for installation and operation instruction		X	X	X	X	
Technical file for period of 10 years after production		X	X	X	X	
CE marking		Not allowed	X	X	X	X
Declaration of conformity		Possible	X	X	X	X

*) Sound engineering practice of member state according to article 3.3 of PED.

Notified body

TÜV Rheinland is authorised notified body for Alco products in category II and IV. The identification number of notified body is 0035. This number must be followed after CE marking for product category II and IV.

Note: Some of Alco product under category I have been passed by higher assessment module which

requires the involvement of notified body and therefore notified body identification number follows CE marking on the labelling, however, the product category will remain unchanged. These products are liquid line filter dryer shells, oil separators and suction accumulators in category I.



Labelling

The labelling of product must comply with requirement of PED by having appropriate

information. The following ALCO label is for an example for product in category II.

	ADKS-plus-19217-T PCN: 804024
Filter drier shell / Filtertrocknergehäuse	
<hr/>	
Max. working pressure / Max. Betriebsüberdruck at / bei Ts: -10°C to +65°C:	PS:34.5 bar (500 psig)
Max. working pressure / Max. Betriebsüberdruck at / bei Ts: -45°C to -10°C :	PS:25.9 bar (375 psig)
Volume / Inhalt:	7 Liter
Fluid group / Gruppe der Fluide:	II
Refrigerants / Kältemittel:	CFC, HCFC, HFC / FCKW, HFCKW, (H)FKW
Connection / Anschluß:	2-1/8"(54mm) ODF
Required cores (pcs.) / Benötigte Einsätze (Stck.):	(4) S48/H48/W48/F48
Date code (origin)/ Herstellungsdatum(Ursprung):	M 0114(Made in Mexico)
Refrigerant flow direction / Kältemittelflußrichtung	
	Serial number/ Seriennummer: 01-.....
	0035
	xxxxxxx Listed refrigerants

Label for electronic expansion valve in category I

	EX8 - U21 PCN: 801970
Electronic Expansion Valve Elektronisches Expansionsventil	
U: ≤ 24 VDC	PS: 35 bar
I max.: 0,8 A	TS: -50°C to +65°C
DN: 1-3/8" (35 mm)	Fluid: R134a, R22, R407C
	R410A, R404A, R507
Made in Germany	A0205 #3001

Installation and operation instruction

It must contain all the necessary safety information relating to:

- Mounting
- Start up and test
- Operation
- Service
- Hazard arising from misuse

Instructions must cover information affixed to the pressure equipment with exception of serial identification and date code.

Declaration of conformity

The declaration of conformity shall bear information such as:

- Type designation and product description
- Applied harmonised standard
- Applied other standards
- Applied assessment module

- Involved notified body affiliation
- Signature of responsible person

Note: The declaration of conformity is not valid for products, which fall under PED and do not have CE-marking (ALCO products in category I) or CE0035 marking (ALCO products in categories II/V).

Applicable harmonised European standard

The presumption in respect to design, manufacturing and test may be obtained by applying harmonised European standards.

- EN 378-1/2/3/4 (refrigeration systems and heat pumps)
- EN14276-1 (Vessels)
- EN14276-2 (Piping)
- EN 12284 (Valves)
- EN12263 (Safety pressure switches)



EN378 (Revision 2000) Refrigeration systems and heat pumps Safety and environmental requirements

This European standard relates to safety and environmental requirements in design. Construction, manufacture, installation, operation,

maintenance and disposal of refrigerating systems of all sizes, including heat pumps.

Refrigerant classification

The standard specifies three groups of refrigerants in relation to flammability and toxicity as L1, L2 and L3.

Table 4: Corresponding of fluid group in PED and refrigerant group in EN378

EN378, Refrigerant group	PED, Fluid group
L1	II
L2	I
L3	I

Minimum allowable pressure for systems and components

The standard specifies based on ambient temperature the minimum design temperatures for high and low-pressure side of system.

		Table 5: Minimum value of allowable pressure bar, gauge pressure						
		Common refrigerants					High pressure refrigerant	
Minimum design temperature definition per EN378		Ambient temperature	R134a	R22	R407C	R404A	R507	R410A
High side	63°C	≤ 43°C	17	25	29	30	31	40
Low side	43°C	≤ 43°C	10	16	16	19	19	25
High side	55°C	≤ 32°C	14	21	24	25	26	34
Low side	32°C	≤ 32°C	8	12	12	14	15	19

All pressure values are rounded.

Note 1:

For the low-pressure side, it is sufficient to base the calculation of pressure on the expected temperature during compressor standstill period at maximum ambient temperature.

Note 2:

The system can be subdivided into several sections (low and high side) for each of which there might be a different maximum allowable pressure.

Note 3:

The maximum working pressure (PS) of components must be equal or higher than minimum value of allowable pressure by considering refrigerant type and ambient temperature for low or high side of system.

Determination of maximum working pressure, PS

There are two methods to determine PS:

- Determination of PS by calculation or testing.
- Where no specific verification is used, table 5 shall apply.

System evaluation, example

A refrigeration system with air cooled condenser and plate heat exchanger evaporator is designed to operate with refrigerant R507 (fluid group II) at ambient temperature 40°C.

Minimum allowable working pressure for high side is 31 bar according to table 5 as no calculation or test has been carried out.

Minimum allowable working pressure for low side is 19 bar according to table 5 as no calculation or test has been carried out

Schematic refrigeration circuit

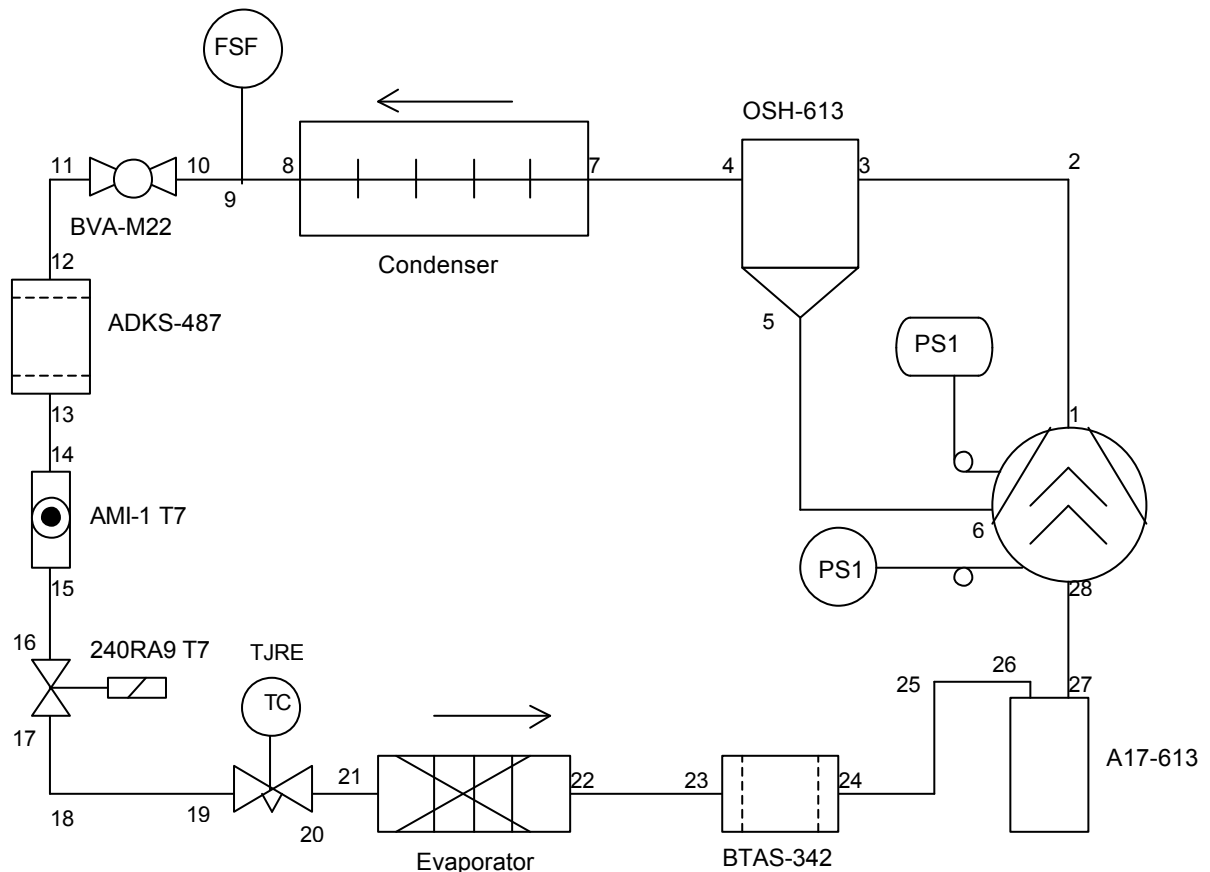


Table 6: Category evaluation of installed components

Component	ALCO product type	Connection, mm Volume, liter	Ps bar	Evaluation of category	Hazard Category
Semi hermetic Compressor	-	According to european compressor manufacturer, semi hermetic compressors are out of scope of PED.			None
Oil separator	OSH-613	7.9 liter	31	$31 * 7.8 = 242 > 200$	Cat. II
Hot gas tubes	-	35 mm	31	$31 * 35 = 1085 > 1000$	Cat. I
Return oil tube	-	10 mm	31	$31 * 10 = 310 < 1000$	SEP
Condenser with fans	-	22/22	31	♦	None
Fan speed controls	FSF-42U	6 mm	32/31	♦	None
Ball valve	BVA-M22	22 mm	31	$31 * 22 = 682 < 1000$	SEP
Liquid line filter dryer	ADKS-487	2.1 liter	35/31	$35 * 2.1 = 74 < 200$ $31 * 2.1 = 65.1 < 200$	Cat. I
Sight glass	AMI-1 TT7	22 mm	31	$31 * 22 = 682 < 1000$	SEP
Solenoid valve	240RA9T7	22 mm	31	$31 * 22 = 682 < 1000$	SEP
Liquid tubes	-	22 mm	31	$31 * 22 = 682 < 1000$	SEP
Expansion valve	TJRE	22/28 mm	31/19	$31 * 22 = 682 < 1000$ $19 * 28 = 532 < 1000$	SEP
Evaporator	-	11 liter	19	$19 * 11 = 209 > 200$	Cat II
Suction line filter dryer	BTAS-342	1.1 liter	24/19	$24 * 1.1 = 26.4 < 50$	SEP
Suction accumulator	A17-613	7.9 liter	21/19	$21 * 7.9 = 166 < 200$ $19 * 7.9 = 150.1 < 200$	Cat. I
Suction tubes	-	42 mm	19	$19 * 42 = 798 < 1000$	SEP
Low pressure switch	PS1-A3A	6 mm	19	♦	None
High pressure switch	PS1-B5A	6 mm	32/31	Safety device ♦♦	Cat. IV / Cat.II

♦) Out of scope of PED and covered by low voltage directive

♦♦) The highest category of components is II, The

complete system will be in category II and the safety switch will be handled as a device in category II



Table 7: Determination of category of joints

Joint	Evaluation	Hazard category
1, 2, 7	As hot gas tubes	Cat. I
3, 4, 5	As oil separator	Cat. II
6	As return oil line	SEP
8, 9, 10, 11, 14, 15, 16, 17, 18, 19, 20	As liquid line, ball valve, sight glass, solenoid valve, expansion valve	SEP
12, 13	As filter dryer shell	Cat. I
21, 22	As evaporator	Cat. II
23, 24, 25, 28	As suction line	SEP
26, 27	As suction accumulator	Cat. I
The overall category of this system is as high as category of installed components. This system needs CE marking according to PED.		Cat. II

Note: If the overall category of system is equal or less than category I, the system is covered by low voltage directive and it can be excluded from PED.

Technical specification and hazard classification

Table 8: Vessels

	Product	Fluid group	Volume, liter	TS, °C	PS, bar	Hazard category	Conformity assessment Module	Marking
Filter Dryers	ADK-03/05/08/16...	II	0.1 to 0.38	-40 to +65	37.6	SEP	-	HP & UL
	ADK-30/41/75...	II	0.4 to 0.65		34.5	SEP	-	HP & UL
	FDB-03/05/08/16...	II	0.1 to 0.38		37.6	SEP	-	HP & UL
	FDB-30/41...	II	0.45 to 0.5		34.5	SEP	-	HP & UL
	BFK-05/08/16...	II	0.18 to 0.32		37.6	SEP	-	HP & UL
	BFK-30...	II	0.4		34.5	SEP	-	HP & UL
	FDS-24...	II	1.0	-10 to +65 (-45 to -10)	34.5 (25.9)	SEP	-	HP & UL
	ADKS/FDS-48...	II	2.1			I	D1	CE0035 & UL
	ADKS/FDS-96...	II	3.8			I	D1	CE0035 & UL
	ADKS/FDS-144...	II	5.4			I	D1	CE0035 & UL
	ADKS/FDS-192...	II	7	II	D1	CE0035 & UL		
	ASD/ASF-28../35../45...	II	<1	-45 to +50	27.5	SEP	-	HP & UL
	ASD/ASF50../75...	II	<1.4			SEP	-	HP & UL
	BTAS-2...	II	0.42		24	SEP	-	HP & UL
	BTAS-3...	II	1.1			SEP	-	HP & UL
	BTAS-4...	II	1.97			SEP	-	HP & UL
BTAS-5...	II	3.19	I			A	CE & UL	



Table 8: Vessels (cont'd)

	Product	Fluid group	Volume, liter	TS, °C	PS, bar	Hazard category	Conformity assessment Module	Marking
Oil separators/ reservoir	OSH-404	II	2	-10 to +150	31	I	D1	CE0035 & UL
	OSH-405	II	2.4			I	D1	CE0035 & UL
	OSH-407	II	2.8			I	D1	CE0035 & UL
	OSH-409	II	3			I	D1	CE0035 & UL
	OSH-411/413	II	3.6			I	D1	CE0035 & UL
	OST-404	II	1.8			I	D1	CE0035 & UL
	OST-405	II	2.6			I	D1	CE0035 & UL
	OST-407	II	3.2			I	D1	CE0035 & UL
	OST-409/411/413	II	3.8			I	D1	CE0035 & UL
	OSH-611	II	6.5			II	D1	CE0035 & UL
	OSH-613/617	II	7.9			II	D1	CE0035 & UL
	OSB-613/617	II	7.8			II	D1	CE0035 & UL
	OSC-2...	II	6.4			I	D1	CE0035 & UL
	OSC-3...	II	8.9			II	D1	CE0035 & UL
	OSC-4...	II	12.8			II	D1	CE0035 & UL
	OSC-5...	II	14.1			II	D1	CE0035 & UL
	OSC-6...	II	23.2			II	D1	CE0035 & UL
	ORV-043	II	16			II	D1	CE0035 & UL
	ORV-023	II	7.7			II	D1	CE0035 & UL
	Suction accumulators	A08-304	II			0.9	-10 to +65 (-45 to -10)	20.7 (15.5)
A10-305		II	1.1	SEP	-	HP & UL		
A12-305/306		II	1.3	SEP	-	HP & UL		
A14-305/306		II	1.6	SEP	-	HP & UL		
A06-404/405		II	1.2	SEP	-	HP & UL		
A10-405/406		II	2.1	SEP	-	HP & UL		
A09-506/507		II	2.7	I	D1	CE0035 & UL		
A12-506/507		II	3.8	I	D1	CE0035 & UL		
A13-507/509		II	4.3	I	D1	CE0035 & UL		
A17-509/511		II	5.4	I	D1	CE0035 & UL		
A11-607		II	5.1	I	D1	CE0035 & UL		
A13-607/609		II	5.8	I	D1	CE0035 & UL		
A14-611		II	6.4	I	D1	CE0035 & UL		
A17-613		II	7.9	I	D1	CE0035 & UL		
A20-613		II	9.4	I	D1	CE0035 & UL		
A25-613		II	11.6	II	D1	CE0035 & UL		



Table 9: Pressure accessories

	Product	Fluid group	DN, mm	TS, °C	PS, bar	Hazard category	Conformity assessment Module	Marking
Pressure switches	PS1-B3..., PSA-B3...		6	-50 to +70	22	IV	B and D	CE0035
	PS1-S3..., PSA-S3...		6		22	IV	B and D	CE0035
	PS1-W3..., PSA-W3...		6		22	IV	B and D	CE0035
	PS1-B5..., PSA-B5...		6		32	IV	B and D	CE0035
	PS1-S5..., PSA-S5...		6		32	IV	B and D	CE0035
	PS1-W5..., PSA-W5...		6		32	IV	B and D	CE0035
	All otther PS1 types		6		22/32	Under LVD, excluded from PED		CE
	PS2-B7..., PSB-B7...		6	-50 to +70	22	IV	B and D	CE0035
	PS2-C7..., PSB-C7...		6		22	IV	B and D	CE0035
	PS2-T7..., PSB-T7...		6		22	IV	B and D	CE0035
	PS2-B7..., PSB-B7...		6		32	IV	B and D	CE0035
	PS2-C7..., PSB-C7...		6		32	IV	B and D	CE0035
	PS2-C8..., PSB-C8...		6		32	IV	B and D	CE0035
	PS2-G8..., PSB-G8...		6		32	IV	B and D	CE0035
	PS2-S8..., PSB-S8...		6		32	IV	B and D	CE0035
	PS2-T7..., PSB-T7...		6		32	IV	B and D	CE0035
	PS2-W7..., PSB-W7...		6		32	IV	B and D	CE0035
	All other PS2 types		6		22/32	Under LVD, excluded from PED		CE
	PS3-B.1...,PS3-W.1...		6	-30 to +70	27	IV	B and D	CE0035
	PS3-B.4...,PS3-S.4...		6	-30 to +70	32	IV	B and D	CE0035
	PS3-B.5...,PS3-S.5...		6	-30 to +70	32	IV	B and D	CE0035
	PS3-W.4...,PS3-W.5...		6	-30 to +70	32	IV	B and D	CE0035
	PS3-C.4...,PS3-T.4...,PS3-X.4...		6	-30 to +150	32	IV	B and D	CE0035
	PS3-C.5...,PS3-T.5...,PS3-X.5...		6	-30 to +150	32	IV	B and D	CE0035
	PS3-B6...,PSC-B6...		6	-40 to +150	43	IV	B and D	CE0035
	PS3-W6...,PSC-W6...		6	-40 to +150	43	IV	B and D	CE0035
	PS3-S6...,PSC-S6...		6	-40 to +150	43	IV	B and D	CE0035
	All other PS3 type		6	-30 to +70	27/32	Under LVD, excluded from PED		CE
FF142.../FFg142...		6	Under LVD, excluded from PED				CE	
EX/FF142...		6	Under ATEX, excluded from PED				-	
FD113.../LDS...		6	Under LVD, excluded from PED				CE	
Fan speed	FSF/FSO-41...	II	6	-20 to +70	28	Under LVD, excluded from PED	CE	
	FSF/FSO-42...	II	6		32		CE	
	FV142-T22	II	6		27		CE	
	FV142-T30	II	6		31		CE	
Transmitter	PT3-07...	II	6	-40 to +135	SEP		-	
	PT3-18/30...	II	6		SEP		-	

Table 9: Pressure accessories (cont'd)

	Product	Fluid group	DN, mm	TS, °C	PS, bar	Hazard category	Conformity assessment Module	Marking
Mechanical & electronic expansion valves	TI	II	max. 16	-45 to +65	31	SEP	-	-
	TX2/TX3-...	II	max. 16		31	SEP	-	-
	TX3-Z...	II	max. 16		40	SEP	-	-
	TX6	II	max. 22		31	SEP	-	-
	T-series	II	max. 28		31	SEP	-	-
	L-series	II	max. 28		31	SEP	-	-
	935-series	II	max. 28		31	SEP	-	-
	ZZ-series	II	max. 28	-120 to +65	31	SEP	-	-
	EX2	II	max. 12	-40 to +50	34.5	SEP	-	-
	EX5	II	max. 22	-50 to +65	40	SEP	-	-
	EX6	II	max. 28		40	I	A	CE
	EX7	II	35		35	I	A	CE
	EX8	II	42		35	I	A	CE
	Solenoid valves	110RB2...	II	6 to 10	-40 to +120	31	SEP	-
200RB3/4/6...		II	10 to 16	31		SEP	-	-
200RA8/9/12...		II	16 to 28	31		SEP	-	-
240RA16-T9...		II	28	31		SEP	-	-
240RA 16-T11...		II	35	31		I	A	CE
240RA20-T11/13/17...		II	35 to 54	31		I	A	CE
540RA8/9/12/16...		II	16 to 28	31		SEP	-	-
540RA20-T11		II	35 to 54	28	SEP	-	-	
3031RC12...		II	28	-40 to +120	31	SEP	-	-
3031RB20...		II	28		28	SEP	-	-
Regulators	ACP	II	6 to 10	-40 to +120	31	SEP	-	-
	CPHE...	II	12 to 28		28	SEP	-	-
	HP5/8/14...	II	12 to 35		28	SEP	-	-
	PRE/PRC	II	16 to 35	-30 to +80	25	SEP	-	-
	OMA....	II	6	-20 to +80	27	SEP	-	-
Shut-off valves/adapters	BVA... (<35)	II	< 35	-40 to 150	31	SEP	-	-
	BVA.... (= 35)	II	= 35		31	I	A	CE
	SF/SR/SS/SW...(<35)	II	< 35	-40 to 140	31	SEP	-	-
	SF/SR/SS/SW... (= 35)	II	= 35		31	I	A	CE
	SC... (≤35)	II	≤35		28	SEP	-	-
	SC... (> 35)	II	> 35		28	I	A	CE
	SC... (< 28)	I, II	< 28		28	SEP	-	-
	SC... (28 to 35)	I, II	28 to 35		28	I	A	CE
	SC... (> 35)	I, II	> 35		28	II	A1	CE0035
	SAS/SAW...(<35)	II	< 35		31	SEP	-	-
	SAS/SAW... (= 35)	II	= 35		31	I	A	CE



Statement, final strength pressure test Components with sensitive main pressure bearing element

The Pressure Equipment Directive (PED) becomes effective among EFTA (European Free Trade Association) members from May 29th, 2002. After this date, CE-marked components, assemblies and complete systems must comply with the PED.

The requirements with respect to design and test may be obtained by applying the following harmonised European standards:

Systems: EN378

Valves: prEN12284

Safety Accessories: EN 12263

The final strength pressure tests for components, piping, assemblies and complete systems are described in the individual standards, as well as in Annex I of PED.

The level of final strength pressure test varies depending upon the material, working temperature range and type of conformity assessment.

According to EN12284 and EN378, the final strength pressure test is limited to 1.1 times the maximum working pressure (PS) for components having sensitive main pressure bearing element such as diaphragms, bellows, enclosing tubes, fused electrical connections, etc.

To avoid permanent deformation/malfunction of sensitive elements, the strength pressure test should not exceed 1.1 times PS and the exposure time should be as short as possible.

In general, these sensitive elements can withstand a burst pressure in magnitude of at least 3 to 5 times PS before rupture and this is taken in to consideration by their design and construction. Therefore, there is no rupture risk due to pressure higher than 1.1 times PS and below burst pressure. However, the correct function of the component can not be guaranteed after exposure to a pressure higher than 1.1 times PS.

The relevant components with sensitive main pressure bearing elements are:

Mechanical Expansion Valves (TXV)

Electronic Expansion Valves (EXV) (stepper motor, PWM)

Solenoid valves

Pressure regulators (crank case, evaporator, hot gas by pass)

Pressure switches

Pressure transducers

CE-marked components achieve a final strength pressure test at 1.1 times PS. The maximum working pressure (PS) is indicated on the product. For products without the CE-mark, the maximum working pressure can be taken from the product label or from this document.

Some assemblies and systems may require a pressure test up to 1.43 times PS to comply with the PED. Integrated components with sensitive elements, such as those listed above, must be protected against pressure higher than 1.1 times PS during final strength pressure test of assemblies or complete systems. The time period of the test should be limited.



Declaration of conformity, overview

Table 11:

	Product family	Type	Page	
Vessels	Oil separators/reservoirs	OSB-613/617, OSH-611/613/642/617	13	
		OSH-404/405/407/409/411/413/442	14	
		OST-404/405/407/409/411/413		
	Suction accumulators	A25-613	15	
		A09-506/507, A11-607, A12-506/507, A13-507/509, A13-607/609, A14-611, A17-509/511, A17-613/642, A20-613	16	
		A06-404/405, A08-304, A10-305/405/406, A12-305/306, A14-305/306	17	
	Filter dryer shells	ADKS-PLUS 192...	18	
		ADKS-PLUS 48.../96.../144...	19	
		FDS-192...	20	
		FDS-48.../96.../144...	21	
		FDS-24...	22	
		BTAS-5...	23	
		BTAS-2.../3.../4...	24	
	Hermetic filter dryers	ADK-..., FDB-..., BFK-...	25	
		ASD-..., ASF-...	26	
	Pressure accessories	Safety and pressure switches	PS1..., PSA-...	27
			PS2..., PSB-...	28
			PS3..., PSC-...	29
Electronic expansion valves		EX6-..., EX7-..., EX8-...	30	
		EX5-...	31	
Thermo-Expansion valves		TI/TX2/TX3/T/L/ZZ/935-series	32	
Solenoid valves		240RA20..., 240RA16 T11	33	
		240/540RA8..., 240/540RA9..., 240/540RA12..., 240/54016T9, 540RA16T11, 540RA20...	34	
		110RB.../200RB...	35	
Ball valves		BVA-138/M35/158/M42/218/M54/258/318	36	
		Other BVA-...	37	
Shut-off valves		Cast iron, SC5-X91/X94, SC4-X91/X94, SC8-X91	38	
		Cast iron, Other SC...	39	
		Steel, SR-..., SW-..., SF-...	40/41 and 42/43/44	
Pressure regulators		ACP..., CPHE..., HP..., PRE..., PRC...	45	
Sight glasses		AMI-2-S11/S13/17, AMI-3-S11	46	
		Other AMI/-..., MIA-...	47/48	
Fittings		Adapter	49	



Emerson Electric GmbH & Co.
ALCO CONTROLS
Heerstraße 111,
D-71332, Waiblingen
Germany
Tel. : 00 49 7151 509-0
Fax : 00 49 7151 509-200



0035

EC-Declaration of Conformity / EG-Konformitätserklärung

The product specified by „description“ and „type“ fulfills the requirements of the below mentioned EC-Directive. Unauthorised product modifications make this declaration invalid.

Hiermit erklären wir die Konformität des durch „Bezeichnung“ und „Typ“ benannten Produktes mit der genannten EG-Richtlinie. Durch nicht mit uns abgestimmte Produktänderungen verliert diese Erklärung ihre Gültigkeit.

EC-Directive / EG-Richtlinie:	Pressure Equipment Directive (PED) Druckgeräte Richtlinie (DGRL) 97/23/EG
Description / Bezeichnung:	Oil separators series OS-.... Ölabscheider Baureihe OS-....
Type / Typ:	OSB-613/617, OSH-611/613/642/617
Conformity assessment category/ Konformitätsbewertungskategorie	II
Fluid group / Gruppe der Fluide	II, according to PED / II, gemäß DGRL L1, according to EN378 / L1, gemäß EN378
Conformity assessment procedure / Konformitätsbewertungsverfahren:	Module D1, Production quality assurance Modul D1, Qualitätssicherung Produktion
Applied Harmonized European standard / Angewandte Europäische harmonisierte Normen :	PrEN 14276-1, EN378-1, EN378-2, EN13133, EN13134, EN1593, EN1779
Applied other standard / Angewandte sonstige Normen	EN719, EN729, EN288-3, EN1418, EN10204, AD-Merkblatt B0, B1
Notified Body / Benannte Stelle	TÜV Rheinland Anlagentechnik GmbH Am Grauen Stein D-51105 Cologne / Köln Germany

Waiblingen, 25.06.2001

A. Nejad (Product Manager)



Emerson Electric GmbH & Co.
ALCO CONTROLS
Heerstraße 111,
D-71332, Waiblingen
Germany
Tel. : 00 49 7151 509-0
Fax : 00 49 7151 509-200



0035

EC-Declaration of Conformity / EG-Konformitätserklärung

The product specified by „description“ and „type“ fulfills the requirements of the below mentioned EC-Directive. Unauthorised product modifications make this declaration invalid.

Hiermit erklären wir die Konformität des durch „Bezeichnung“ und „Typ“ benannten Produktes mit der genannten EG-Richtlinie. Durch nicht mit uns abgestimmte Produktänderungen verliert diese Erklärung ihre Gültigkeit.

EC-Directive / EG-Richtlinie:	Pressure Equipment Directive (PED) Druckgeräte Richtlinie (DGRL) 97/23/EG
Description / Bezeichnung:	Oil separators series OS-.... Ölabscheider Baureihe OS-....
Type / Typ:	OSH-404/405/407/409/411/413/442 OST-404/405/407/409/411/413
Conformity assessment category/ Konformitätsbewertungskategorie	I
Fluid group / Gruppe der Fluide	II, according to PED / II, gemäß DGRL L1, according to EN378 / L1, gemäß EN378
Conformity assessment procedure / Konformitätsbewertungsverfahren:	Applied higher category, Module D1, Production quality assurance Angewandte höhere Kategorie, Modul D1, Qualitätssicherung Produktion
Applied Harmonized European standard / Angewandte Europäische harmonisierte Normen :	PrEN 14276-1, EN378-1, EN378-2, EN13133, EN13134, EN1593, EN1779
Applied other standard / Angewandte sonstige Normen	EN719, EN729, EN288-3, EN1418, EN10204, AD-Merkblatt B0, B1
Notified Body / Benannte Stelle	TÜV Rheinland Anlagentechnik GmbH Am Grauen Stein D-51105 Cologne / Köln Germany

Waiblingen, 25.06.2001

A. Nejad (Product Manager)



Emerson Electric GmbH & Co.
ALCO CONTROLS
Heerstraße 111,
D-71332, Waiblingen
Germany
Tel. : 00 49 7151 509-0
Fax : 00 49 7151 509-200



0035

EC-Declaration of Conformity / EG-Konformitätserklärung

The product specified by „description“ and „type“ fulfills the requirements of the below mentioned EC-Directive. Unauthorised product modifications make this declaration invalid.

Hiermit erklären wir die Konformität des durch „Bezeichnung“ und „Typ“ benannten Produktes mit der genannten EG-Richtlinie. Durch nicht mit uns abgestimmte Produktänderungen verliert diese Erklärung ihre Gültigkeit.

EC-Directive / EG-Richtlinie:	Pressure Equipment Directive (PED) Druckgeräte Richtlinie (DGRL) 97/23/EG
Description / Bezeichnung:	Suction accumulator series A... Flüssigkeitsabscheider Baureihe A...
Type / Typ:	A25-613
Conformity assessment category/ Konformitätsbewertungskategorie	II
Fluid group / Gruppe der Fluide	II, according to PED / II, gemäß DGRL L1, according to EN378 / L1, gemäß EN378
Conformity assessment procedure / Konformitätsbewertungsverfahren:	Module D1, Production quality assurance Modul D1, Qualitätssicherung Produktion
Applied Harmonized European standard / Angewandte Europäische harmonisierte Normen :	PrEN 14276-1, EN378-1, EN378-2, EN13133, EN13134, EN1593, EN1779
Applied other standard / Angewandte sonstige Normen	EN719, EN729, EN288-3, EN1418, EN10204, AD-Merkblatt B0, B1
Notified Body / Benannte Stelle	TÜV Rheinland Anlagentechnik GmbH Am Grauen Stein D-51105 Cologne / Köln Germany

Waiblingen, 25.06.2001

A. Nejad (Product Manager)



Emerson Electric GmbH & Co.
ALCO CONTROLS
Heerstraße 111,
D-71332, Waiblingen
Germany
Tel. : 00 49 7151 509-0
Fax : 00 49 7151 509-200



0035

EC-Declaration of Conformity / EG-Konformitätserklärung

The product specified by „description“ and „type“ fulfills the requirements of the below mentioned EC-Directive. Unauthorised product modifications make this declaration invalid.

Hiermit erklären wir die Konformität des durch „Bezeichnung“ und „Typ“ benannten Produktes mit der genannten EG-Richtlinie. Durch nicht mit uns abgestimmte Produktänderungen verliert diese Erklärung ihre Gültigkeit.

EC-Directive / EG-Richtlinie:	Pressure Equipment Directive (PED) Druckgeräte Richtlinie (DGRL) 97/23/EG
Description / Bezeichnung:	Suction accumulator series A... Flüssigkeitsabscheider Baureihe A...
Type / Typ:	A09-506/507, A11-607, A12-506/507, A13-507/509, A13-607/609, A14-611, A17-509/511, A17-613/642, A20-613
Conformity assessment category/ Konformitätsbewertungskategorie	I
Fluid group / Gruppe der Fluide	II, according to PED / II, gemäß DGRL L1, according to EN378 / L1, gemäß EN378
Conformity assessment procedure / Konformitätsbewertungsverfahren:	Applied higher category, Module D1, Production quality assurance Angewandte höhere Kategorie, Modul D1, Qualitätssicherung Produktion
Applied Harmonized European standard / Angewandte Europäische harmonisierte Normen :	PrEN 14276-1, EN378-1, EN378-2, EN13133, EN13134, EN1593, EN1779
Applied other standard / Angewandte sonstige Normen	EN719, EN729, EN288-3, EN1418, EN10204, AD-Merkblatt B0, B1
Notified Body / Benannte Stelle	TÜV Rheinland Anlagentechnik GmbH Am Grauen Stein D-51105 Cologne / Köln Germany

Waiblingen, 25.06.2001

A. Nejad (Product Manager)



Emerson Electric GmbH & Co.
ALCO CONTROLS
Heerstraße 111,
D-71332, Waiblingen
Germany
Tel. : 00 49 7151 509-0
Fax : 00 49 7151 509-200

EC-Declaration of Conformity / EG-Konformitätserklärung

According to article 3 section 3, the products specified by „description“ and „type“ are designed and manufactured in accordance with the sound engineering practice of member state Germany and must not bear the CE marking.

Unauthorised product modifications make this declaration invalid.

Gemäß Artikel 3 Teil 3 erklären wir hiermit die Übereinstimmung der durch Bezeichnung und Typ benannten Produkte mit der geltenden guten Ingenieurpraxis des EU Mitgliedstaates „Deutschland“. Die Produkte dürfen gemäß diesem Artikel jedoch nicht die CE-Kennzeichnung tragen. Durch nicht mit uns abgestimmte Produktänderungen verliert diese Erklärung ihre Gültigkeit.

EC-Directive / EG-Richtlinie:	Pressure Equipment Directive (PED) Druckgeräte Richtlinie (DGRL) 97/23/EG
Description / Bezeichnung:	Suction accumulator series A ... Flüssigkeitsabscheider Baureihe A ...
Type / Typ:	A06-404/405, A08-304, A10-305/405//406, A12-305/306 A14-305/306
Conformity assessment category/ Konformitätsbewertungskategorie	Not applicable / Nicht anwendbar
Conformity assessment procedure / Konformitätsbewertungsverfahren:	Not applicable / Nicht anwendbar
CE Marking / CE-Kennzeichnung	Not applicable / Nicht anwendbar
Other Marking / Sonstige Kennzeichnung	HP, UL
Applied Harmonized European standard / Angewandte Europäische harmonisierte Normen :	EN378-1, EN378-2, EN1593, EN1779
Applied other standard / Angewandte sonstige Normen	TRB401, TRB 521, TRB522, AD-Merkblatt B0, B1
Notified Body / Benannte Stelle	-

Waiblingen, 01.01.2001

A. Nejad (Product Manager)



Emerson Electric GmbH & Co.
ALCO CONTROLS
Heerstraße 111,
D-71332, Waiblingen
Germany
Tel. : 00 49 7151 509-0
Fax : 00 49 7151 509-200



0035

EC-Declaration of Conformity / EG-Konformitätserklärung

The product specified by „description“ and „type“ fulfills the requirements of the below mentioned EC-Directive. Unauthorised product modifications make this declaration invalid.

Hiermit erklären wir die Konformität des durch „Bezeichnung“ und „Typ“ benannten Produktes mit der genannten EG-Richtlinie. Durch nicht mit uns abgestimmte Produktänderungen verliert diese Erklärung ihre Gültigkeit.

EC-Directive / EG-Richtlinie:	Pressure Equipment Directive (PED) Druckgeräte Richtlinie (DGRL) 97/23/EG
Description / Bezeichnung:	Filter dryer shells series ADKS-PLUS-.... Filtertrocknergehäuse Baureihe ADKS-PLUS-....
Type / Typ:	ADKS-PLUS-19213/19213MM/19217
Conformity assessment category/ Konformitätsbewertungskategorie	II
Fluid group / Gruppe der Fluide	II, according to PED / II, gemäß DGRL L1, according to EN378 / L1, gemäß EN378
Conformity assessment procedure / Konformitätsbewertungsverfahren:	Module D1, Production quality assurance Modul D1, Qualitätssicherung Produktion
Applied Harmonized European standard / Angewandte Europäische harmonisierte Normen :	PrEN 14276-1, EN378-1, EN378-2, EN13133, EN13134, EN1593, EN1779
Applied other standard / Angewandte sonstige Normen	EN719, EN729, EN288-3, EN1418, EN10204, AD-Merkblatt B0, B1
Notified Body / Benannte Stelle	TÜV Rheinland Anlagentechnik GmbH Am Grauen Stein D-51105 Cologne / Köln Germany

Waiblingen, 25.06.2001

A. Nejad (Product Manager)



Emerson Electric GmbH & Co.
ALCO CONTROLS
Heerstraße 111,
D-71332, Waiblingen
Germany
Tel. : 00 49 7151 509-0
Fax : 00 49 7151 509-200



0035

EC-Declaration of Conformity / EG-Konformitätserklärung

The product specified by „description“ and „type“ fulfills the requirements of the below mentioned EC-Directive. Unauthorised product modifications make this declaration invalid.

Hiermit erklären wir die Konformität des durch „Bezeichnung“ und „Typ“ benannten Produktes mit der genannten EG-Richtlinie. Durch nicht mit uns abgestimmte Produktänderungen verliert diese Erklärung ihre Gültigkeit.

EC-Directive / EG-Richtlinie:	Pressure Equipment Directive (PED) Druckgeräte Richtlinie (DGRL) 97/23/EG
Description / Bezeichnung:	Filter dryer shells series ADKS-PLUS-.... Filtertrocknergehäuse Baureihe ADKS-PLUS-....
Type / Typ:	ADKS-PLUS 485/487/489/4811/4813/4813MM/4817/4821 ADKS-PLUS 967/969/9611/9613/9613MM/9617 ADKS-PLUS 1449/14411/14413/14413MM/14417
Conformity assessment category/ Konformitätsbewertungskategorie	I
Fluid group / Gruppe der Fluide	II, according to PED / II, gemäß DGRL L1, according to EN378 / L1, gemäß EN378
Conformity assessment procedure / Konformitätsbewertungsverfahren:	Applied higher category, Module D1, Production quality assurance Angewandte höhere Kategorie, Modul D1, Qualitätssicherung Produktion
Applied Harmonized European standard / Angewandte Europäische harmonisierte Normen :	PrEN 14276-1, EN378-1, EN378-2, EN13133, EN13134, EN1593, EN1779
Applied other standard / Angewandte sonstige Normen	EN719, EN729, EN288-3, EN1418, EN10204, AD-Merkblatt B0, B1
Notified Body / Benannte Stelle	TÜV Rheinland Anlagentechnik GmbH Am Grauen Stein D-51105 Cologne / Köln Germany

Waiblingen, 25.06.2001

A. Nejad (Product Manager)



Emerson Electric GmbH & Co.
ALCO CONTROLS
Heerstraße 111,
D-71332, Waiblingen
Germany
Tel. : 00 49 7151 509-0
Fax : 00 49 7151 509-200



0035

EC-Declaration of Conformity / EG-Konformitätserklärung

The product specified by „description“ and „type“ fulfills the requirements of the below mentioned EC-Directive. Unauthorised product modifications make this declaration invalid.

Hiermit erklären wir die Konformität des durch „Bezeichnung“ und „Typ“ benannten Produktes mit der genannten EG-Richtlinie. Durch nicht mit uns abgestimmte Produktänderungen verliert diese Erklärung ihre Gültigkeit.

EC-Directive / EG-Richtlinie:	Pressure Equipment Directive (PED) Druckgeräte Richtlinie (DGRL) 97/23/EG
Description / Bezeichnung:	Filter dryer shells series FDS-.... Filtertrocknergehäuse Baureihe FDS-....
Type / Typ:	FDS-19213/19213MM/19217
Conformity assessment category/ Konformitätsbewertungskategorie	II
Fluid group / Gruppe der Fluide	II, according to PED / II, gemäß DGRL L1, according to EN378 / L1, gemäß EN378
Conformity assessment procedure / Konformitätsbewertungsverfahren:	Module D1, Production quality assurance Modul D1, Qualitätssicherung Produktion
Applied Harmonized European standard / Angewandte Europäische harmonisierte Normen :	PrEN 14276-1, EN378-1, EN378-2, EN13133, EN13134, EN1593, EN1779
Applied other standard / Angewandte sonstige Normen	EN719, EN729, EN288-3, EN1418, EN10204, AD-Merkblatt B0, B1, TRB402
Notified Body / Benannte Stelle	TÜV Rheinland Anlagentechnik GmbH Am Grauen Stein D-51105 Cologne / Köln Germany

Waiblingen, 25.06.2001

A. Nejad (Product Manager)



Emerson Electric GmbH & Co.
ALCO CONTROLS
Heerstraße 111,
D-71332, Waiblingen
Germany
Tel. : 00 49 7151 509-0
Fax : 00 49 7151 509-200



0035

EC-Declaration of Conformity / EG-Konformitätserklärung

The product specified by „description“ and „type“ fulfills the requirements of the below mentioned EC-Directive. Unauthorised product modifications make this declaration invalid.

Hiermit erklären wir die Konformität des durch „Bezeichnung“ und „Typ“ benannten Produktes mit der genannten EG-Richtlinie. Durch nicht mit uns abgestimmte Produktänderungen verliert diese Erklärung ihre Gültigkeit.

EC-Directive / EG-Richtlinie:	Pressure Equipment Directive (PED) Druckgeräte Richtlinie (DGRL) 97/23/EG
Description / Bezeichnung:	Filter dryer shells series FDS-.... Filtertrocknergehäuse Baureihe FDS-....
Type / Typ:	FDS- 485/487/489/4811/4813/4813MM/4817/4821 FDS- 967/969/9611/9613/9613MM/9617 FDS- 1449/14411/14413/14413MM/14417
Conformity assessment category/ Konformitätsbewertungskategorie	I
Fluid group / Gruppe der Fluide	II, according to PED / II, gemäß DGRL L1, according to EN378 / L1, gemäß EN378
Conformity assessment procedure / Konformitätsbewertungsverfahren:	Applied higher category, Module D1, Production quality assurance Angewandte höhere Kategorie, Modul D1, Qualitätssicherung Produktion
Applied Harmonized European standard / Angewandte Europäische harmonisierte Normen :	PrEN 14276-1, EN378-1, EN378-2, EN13133, EN13134, EN1593, EN1779
Applied other standard / Angewandte sonstige Normen	EN719, EN729, EN288-3, EN1418, EN10204, AD-Merkblatt B0, B1, TRB-402
Notified Body / Benannte Stelle	TÜV Rheinland Anlagentechnik GmbH Am Grauen Stein D-51105 Cologne / Köln Germany

Waiblingen, 25.06.2001

A. Nejad (Product Manager)



Emerson Electric GmbH & Co.
ALCO CONTROLS
Heerstraße 111,
D-71332, Waiblingen
Germany
Tel. : 00 49 7151 509-0
Fax : 00 49 7151 509-200

EC-Declaration of Conformity / EG-Konformitätserklärung

According to article 3 section 3, the products specified by „description“ and „type“ are designed and manufactured in accordance with the sound engineering practice of member state Germany and must not bear the CE marking.

Unauthorised product modifications make this declaration invalid.

Gemäß Artikel 3 Teil 3 erklären wir hiermit die Übereinstimmung der durch Bezeichnung und Typ benannten Produkte mit der geltenden guten Ingenieurpraxis des EU Mitgliedstaates „Deutschland“. Die Produkte dürfen gemäß diesem Artikel jedoch nicht die CE-Kennzeichnung tragen. Durch nicht mit uns abgestimmte Produktänderungen verliert diese Erklärung ihre Gültigkeit.

EC-Directive / EG-Richtlinie:	Pressure Equipment Directive (PED) Druckgeräte Richtlinie (DGRL) 97/23/EG
Description / Bezeichnung:	Filter dryer shells series FDS-.... Filtertrocknergehäuse Baureihe FDS-....
Type / Typ:	FDS-243/244/245/247/249
Conformity assessment category/ Konformitätsbewertungskategorie	Not applicable / Nicht anwendbar
Conformity assessment procedure / Konformitätsbewertungsverfahren:	Not applicable / Nicht anwendbar
CE Marking / CE-Kennzeichnung	Not applicable / Nicht anwendbar
Other Marking / Sonstige Kennzeichnung	HP, UL
Applied Harmonized European standard / Angewandte Europäische harmonisierte Normen :	EN378-1, EN378-2, EN1593, EN1779
Applied other standard / Angewandte sonstige Normen	TRB401, TRB402, TRB 521, TRB522, AD-Merkblatt B0, B1
Notified Body / Benannte Stelle	-

Waiblingen, 01.01.2001

A. Nejad (Product Manager)



Emerson Electric GmbH & Co.
ALCO CONTROLS
Heerstraße 111,
D-71332, Waiblingen
Germany
Tel. : 00 49 7151 509-0
Fax : 00 49 7151 509-200



EC-Declaration of Conformity / EG-Konformitätserklärung

The product specified by „description“ and „type“ fulfills the requirements of the below mentioned EC-Directive. Unauthorised product modifications make this declaration invalid.

Hiermit erklären wir die Konformität des durch „Bezeichnung“ und „Typ“ benannten Produktes mit der genannten EG-Richtlinie. Durch nicht mit uns abgestimmte Produktänderungen verliert diese Erklärung ihre Gültigkeit.

EC-Directive / EG-Richtlinie:	Pressure Equipment Directive (PED) Druckgeräte Richtlinie (DGRL) 97/23/EG
Description / Bezeichnung:	Suction line filter dryer shell series BTAS-5.... SaugleitungsfILTER- und Filtertrocknergehäuse Baureihe BTAS-5....
Type / Typ:	BTAS-521, BTAS-525. BTAS-580
Conformity assessment category/ Konformitätsbewertungskategorie	I
Fluid group / Gruppe der Fluide	II, according to PED / II, gemäß DGRL L1, according to EN378 / L1, gemäß EN378
Conformity assessment procedure / Konformitätsbewertungsverfahren:	Module A, Internal production control Modul A, Interne Fertigungskontrolle
Applied Harmonized European standard / Angewandte Europäische harmonisierte Normen :	PrEN 14276-1, EN378-1, EN378-2, EN1593, EN1779
Applied other standard / Angewandte sonstige Normen	EN10204
Notified Body / Benannte Stelle	-
<u>Waiblingen, 01.01.2001</u>	
A. Nejad (Product Manager)	



Emerson Electric GmbH & Co.
ALCO CONTROLS
Heerstraße 111,
D-71332, Waiblingen
Germany
Tel. : 00 49 7151 509-0
Fax : 00 49 7151 509-200

EC-Declaration of Conformity / EG-Konformitätserklärung

According to article 3 section 3, the products specified by „description“ and „type“ are designed and manufactured in accordance with the sound engineering practice of member state Germany and must not bear the CE marking.

Unauthorised product modifications make this declaration invalid.

Gemäß Artikel 3 Teil 3 erklären wir hiermit die Übereinstimmung der durch Bezeichnung und Typ benannten Produkte mit der geltenden guten Ingenieurpraxis des EU Mitgliedstaates „Deutschland“.

Die Produkte dürfen gemäß diesem Artikel jedoch nicht die CE-Kennzeichnung tragen.

Durch nicht mit uns abgestimmte Produktänderungen verliert diese Erklärung ihre Gültigkeit.

EC-Directive / EG-Richtlinie:	Pressure Equipment Directive (PED) Druckgeräte Richtlinie (DGRL) 97/23/EG
Description / Bezeichnung:	Suction line filter dryer shell series BTAS-2/3/4.... SaugleitungsfILTER- und Filtertrocknergehäuse Baureihe BTAS-2/3/4....
Type / Typ:	BTAS-25/26/27, BTAS-39/311/342/313/317, BTAS-417
Conformity assessment category/ Konformitätsbewertungskategorie	Not applicable / Nicht anwendbar
Conformity assessment procedure / Konformitätsbewertungsverfahren:	Not applicable / Nicht anwendbar
CE Marking / CE-Kennzeichnung	Not applicable / Nicht anwendbar
Other Marking / Sonstige Kennzeichnung	HP, UL
Applied Harmonized European standard / Angewandte Europäische harmonisierte Normen :	EN378-1, EN378-2, EN1593, EN1779
Applied other standard / Angewandte sonstige Normen	TRB401, TRB 521, TRB522

Waiblingen, 01.01.2001

A. Nejad (Product Manager)



Emerson Electric GmbH & Co.
ALCO CONTROLS
Heerstraße 111,
D-71332, Waiblingen
Germany
Tel. : 00 49 7151 509-0
Fax : 00 49 7151 509-200

EC-Declaration of Conformity / EG-Konformitätserklärung

According to article 3 section 3, the products specified by „description“ and „type“ are designed and manufactured in accordance with the sound engineering practice of member state Germany and must not bear the CE marking.

Unauthorised product modifications make this declaration invalid.

Gemäß Artikel 3 Teil 3 erklären wir hiermit die Übereinstimmung der durch Bezeichnung und Typ benannten Produkte mit der geltenden guten Ingenieurpraxis des EU Mitgliedstaates „Deutschland“. Die Produkte dürfen gemäß diesem Artikel jedoch nicht die CE-Kennzeichnung tragen. Durch nicht mit uns abgestimmte Produktänderungen verliert diese Erklärung ihre Gültigkeit.

EC-Directive / EG-Richtlinie:	Pressure Equipment Directive (PED) Druckgeräte Richtlinie (DGRL) 97/23/EG
Description / Bezeichnung:	Filter dryer series ADK/FDB/BFK-.... Filtertrockner Baureihe ADK/FDB/BFK-....
Type / Typ:	ADK/FDB-032/032S/036MMS ADK/FDB/BFK-052/052S/053/053S/056MMS/0510MMS ADK/FDB/BFK- 082/082S/083/083S/084/084S/086MMS/0810MMS/0812MMS ADK/FDB/BFK- 162/163/163S/164/164S/165/165S/1610MMS/1612MMS ADK/FDB/BFK-303/304/304S/305/305S/307S/3012MMS ADK/FDB-414/414S/415/415S/417S/4112MMS ADK-757S/759S
Conformity assessment category/ Konformitätsbewertungskategorie	Not applicable / Nicht anwendbar
Conformity assessment procedure / Konformitätsbewertungsverfahren:	Not applicable / Nicht anwendbar
CE Marking / CE-Kennzeichnung	Not applicable / Nicht anwendbar
Other Marking / Sonstige Kennzeichnung	HP, UL
Applied Harmonized European standard / Angewandte Europäische harmonisierte Normen :	EN378-1, EN378-2, EN1593, EN1779
Applied other standard / Angewandte sonstige Normen	TRB401, TRB 521, TRB522, AD-Merkblatt B0, B1

Waiblingen, 01.01.2001

A. Nejad (Product Manager)



Emerson Electric GmbH & Co.
ALCO CONTROLS
Heerstraße 111,
D-71332, Waiblingen
Germany
Tel. : 00 49 7151 509-0
Fax : 00 49 7151 509-200

EC-Declaration of Conformity / EG-Konformitätserklärung

According to article 3 section 3, the products specified by „description“ and „type“ are designed and manufactured in accordance with the sound engineering practice of member state Germany and must not bear the CE marking.

Unauthorised product modifications make this declaration invalid.

Gemäß Artikel 3 Teil 3 erklären wir hiermit die Übereinstimmung der durch Bezeichnung und Typ benannten Produkte mit der geltenden guten Ingenieurpraxis des EU Mitgliedstaates „Deutschland“. Die Produkte dürfen gemäß diesem Artikel jedoch nicht die CE-Kennzeichnung tragen. Durch nicht mit uns abgestimmte Produktänderungen verliert diese Erklärung ihre Gültigkeit.

EC-Directive / EG-Richtlinie:	Pressure Equipment Directive (PED) Druckgeräte Richtlinie (DGRL) 97/23/EG
Description / Bezeichnung:	Filter dryer series ASD/ASF-.... Filtertrockner Baureihe ASD/ASF-....
Type / Typ:	ASD-28 S3/28 S4/35 F5/35 S5/45 S6/45 S7/50 S9/75 S11/75 S13 ASF-28 S3/28 S4/35 F5/35 S5/45 S6/45 S7/50 S9/75 S11/75 S13
Conformity assessment category/ Konformitätsbewertungskategorie	Not applicable / Nicht anwendbar
Conformity assessment procedure / Konformitätsbewertungsverfahren:	Not applicable / Nicht anwendbar
CE Marking / CE-Kennzeichnung	Not applicable / Nicht anwendbar
Other Marking / Sonstige Kennzeichnung	HP, UL
Applied Harmonized European standard / Angewandte Europäische harmonisierte Normen :	EN378-1, EN378-2, EN1593, EN1779
Applied other standard / Angewandte sonstige Normen	TRB401, TRB 521, TRB522

Waiblingen, 01.01.2001

A. Nejad (Product Manager)



Emerson Electric GmbH & Co.
ALCO CONTROLS
Heerstraße 111,
D-71332, Waiblingen
Germany
Tel. : 00 49 7151 509-0
Fax : 00 49 7151 509-200



0035

EC-Declaration of Conformity / EG-Konformitätserklärung

The product specified by „description“ and „type“ fulfills the requirements of the below mentioned EC-Directive. Unauthorised product modifications make this declaration invalid.

Hiermit erklären wir die Konformität des durch „Bezeichnung“ und „Typ“ benannten Produktes mit der genannten EG-Richtlinie. Durch nicht mit uns abgestimmte Produktänderungen verliert diese Erklärung ihre Gültigkeit.

EC-Directive / EG-Richtlinie:	Pressure Equipment Directive (PED) / Druckgeräte Richtlinie (DGRL) 97/23/EG
Description / Bezeichnung:	Pressure Switch Series PS1 / Druckschalter Baureihe PS1
Type / Typ:	PS1-B3..., PSA-B3..., PS1-B5..., PSA-B5..., PS1-W3..., PSA-W3..., PS1-W5..., PSA-W5..., PS1-S5..., PSA-S5...
Conformity assessment category/ Konformitätsbewertungskategorie	IV
Conformity assessment procedure / Konformitäts- bewertungsverfahren:	Module B, EC Type Examination / Modul B, EG Baumusterprüfung Module D, Quality Assurance Production / Modul D, Qualitätssicherung Produktion
Applied harmonized european standards / Angewandte europäische harmonisierte Normen:	DIN 32 733, DIN EN 12263
Other applied standards / Angewandte sonstige Normen	EN 60 947-1, EN 60 947-5-1
Notified Body / Benannte Stelle	TÜV Rheinland Anlagentechnik GmbH Am Grauen Stein D-51105 Köln, Germany

Waiblingen, 24.04.2002

i. V. Dr. T. Tomski, (Product Manager)



Emerson Electric GmbH & Co.
ALCO CONTROLS
Heerstraße 111,
D-71332, Waiblingen
Germany
Tel. : 00 49 7151 509-0
Fax : 00 49 7151 509-200



0035

EC-Declaration of Conformity / EG-Konformitätserklärung

The product specified by „description“ and „type“ fulfills the requirements of the below mentioned EC-Directive. Unauthorised product modifications make this declaration invalid.

Hiermit erklären wir die Konformität des durch „Bezeichnung“ und „Typ“ benannten Produktes mit der genannten EG-Richtlinie. Durch nicht mit uns abgestimmte Produktänderungen verliert diese Erklärung ihre Gültigkeit.

EC-Directive / EG-Richtlinie:	Pressure Equipment Directive (PED) / Druckgeräte Richtlinie (DGRL) 97/23/EG
Description / Bezeichnung:	Pressure Switch Series PS2 / Druckschalter Baureihe PS2
Type / Typ:	PS2-B7..., PSB-B7..., PS2-C7..., PSB-C7..., PS2-C8..., PSB-C8..., PS2-G8, PSB-G8..., PS2-S8..., PSB-S8..., PS2-T7..., PSB-T7..., PS2-W7..., PSB-W7...,
Conformity assessment category/ Konformitätsbewertungskategorie	IV
Conformity assessment procedure / Konformitäts- bewertungsverfahren:	Module B, EC Type Examination / Modul B, EG Baumusterprüfung Module D, Quality Assurance Production / Modul D, Qualitätssicherung Produktion
Applied harmonized european standards / Angewandte europäische harmonisierte Normen:	DIN 32 733, DIN EN 12263
Other applied standards / Angewandte sonstige Normen	EN 60 947-1, EN 60 947-5-1
Notified Body / Benannte Stelle	TÜV Rheinland Anlagentechnik GmbH Am Grauen Stein D-51105 Köln, Germany

Waiblingen, 24.04.2002

i. V. Dr. T. Tomski, (Product Manager)



Emerson Electric GmbH & Co.
ALCO CONTROLS
Heerstraße 111,
D-71332, Waiblingen
Germany
Tel. : 00 49 7151 509-0
Fax : 00 49 7151 509-200



0035

EC-Declaration of Conformity / EG-Konformitätserklärung

The product specified by „description“ and „type“ fulfills the requirements of the below mentioned EC-Directive. Unauthorised product modifications make this declaration invalid.

Hiermit erklären wir die Konformität des durch „Bezeichnung“ und „Typ“ benannten Produktes mit der genannten EG-Richtlinie. Durch nicht mit uns abgestimmte Produktänderungen verliert diese Erklärung ihre Gültigkeit.

EC-Directive / EG-Richtlinie:	Pressure Equipment Directive (PED) / Druckgeräte Richtlinie (DGRL) 97/23/EG
Description / Bezeichnung:	Pressure Switch Series PS3 / Druckschalter Baureihe PS3
Type / Typ:	PS3-B.1..., PS3-B.4, PS3-B.5, PS3-C.4..., PS3-C.5..., PS3-S.4..., PS3-S.5, PS3-T.4..., PS3-T.5..., PS3-W.1..., PS3-W.4..., PS3-W.5..., PS3-X.4..., PS3-X.5, PS3-B6..., PSC-B6..., PS3-S6..., PSC-S6..., PS3-W6..., PSC W6...
Conformity assessment category / Konformitätsbewertungskategorie	IV
Conformity assessment procedure / Konformitätsbewertungsverfahren:	Module B, EC Type Examination / Modul B, EG Baumusterprüfung Module D, Quality Assurance Production / Modul D, Qualitätssicherung Produktion
Applied harmonized european standards / Angewandte europäische harmonisierte Normen:	DIN 32 733, DIN EN 12263
Other applied standards / Angewandte sonstige Normen	EN 60 947-1, EN 60 947-5-1
Notified Body / Benannte Stelle	TÜV Rheinland Anlagentechnik GmbH Am Grauen Stein D-51105 Köln, Germany

Waiblingen, 24.04.2002

i. V. Dr. T. Tomski, (Product Manager)



Emerson Electric GmbH & Co.
ALCO CONTROLS
Heerstraße 111,
D-71332, Waiblingen
Germany
Tel. : 00 49 7151 509-0
Fax : 00 49 7151 509-200



EC-Declaration of Conformity / EG-Konformitätserklärung

The product specified by „description“ and „type“ fulfills the requirements of the below mentioned EC-Directive. Unauthorised product modifications make this declaration invalid.

Hiermit erklären wir die Konformität des durch „Bezeichnung“ und „Typ“ benannten Produktes mit der genannten EG-Richtlinie. Durch nicht mit uns abgestimmte Produktänderungen verliert diese Erklärung ihre Gültigkeit.

EC-Directive / EG-Richtlinie:	Pressure Equipment Directive (PED) Druckgeräte Richtlinie (DGRL) 97/23/EG
Description / Bezeichnung:	Electronic expansion valves series EX... Elektronische Expansionsventils Baureihe EX...
Type / Typ:	EX6-I21, EX6-M21, EX7-U21, EX8-M21, EX8-U21
Conformity assessment category/ Konformitätsbewertungskategorie	I
Fluid group / Gruppe der Fluide	II, according to PED / II, gemäß DGRL L1, according to EN378 / L1, gemäß EN378
Conformity assessment procedure / Konformitätsbewertungsverfahren:	Module A, Internal production control Modul A, Interne Fertigungskontrolle
Applied Harmonized European standard / Angewandte Europäische harmonisierte Normen :	PrEN12884, EN378-1, EN378-2, EN1593, EN1779
Applied other standard / Angewandte sonstige Normen	EN10204
Notified Body / Benannte Stelle	Not applicable

Waiblingen, 01.04.2002

A. Nejad (Product Manager)



Emerson Electric GmbH & Co.
ALCO CONTROLS
Heerstraße 111,
D-71332, Waiblingen
Germany
Tel. : 00 49 7151 509-0
Fax : 00 49 7151 509-200

EC-Declaration of Conformity / EG-Konformitätserklärung

According to article 3 section 3, the products specified by „description“ and „type“ are designed and manufactured in accordance with the sound engineering practice of member state Germany and must not bear the CE marking.

Unauthorised product modifications make this declaration invalid.

Gemäß Artikel 3 Teil 3 erklären wir hiermit die Übereinstimmung der durch Bezeichnung und Typ benannten Produkte mit der geltenden guten Ingenieurpraxis des EU Mitgliedstaates „Deutschland“. Die Produkte dürfen gemäß diesem Artikel jedoch nicht die CE-Kennzeichnung tragen. Durch nicht mit uns abgestimmte Produktänderungen verliert diese Erklärung ihre Gültigkeit.

EC-Directive / EG-Richtlinie:	Pressure Equipment Directive (PED) Druckgeräte Richtlinie (DGRL) 97/23/EG
Description / Bezeichnung:	Electronic expansion valve series EX5-... Elektronische Expansionsventile Baureihe EX5-...
Type / Typ:	EX5-U21
Conformity assessment category/ Konformitätsbewertungskategorie	Not applicable / Nicht anwendbar
Conformity assessment procedure / Konformitätsbewertungsverfahren:	Not applicable / Nicht anwendbar
CE Marking / CE-Kennzeichnung	Not applicable / Nicht anwendbar
Other Marking / Sonstige Kennzeichnung	-
Applied Harmonized European standard / Angewandte Europäische harmonisierte Normen :	prEN12284, EN378-1, EN378-2, EN1593, EN1779
Applied other standard / Angewandte sonstige Normen	EN10204

Waiblingen, 01.04.2002

A. Nejad (Product Manager)



EC-Declaration of Conformity / EG-Konformitätserklärung

According to article 3 section 3, the products specified by „description“ and „type“ are designed and manufactured in accordance with the sound engineering practice of member state Germany and must not bear the CE marking.

Unauthorised product modifications make this declaration invalid.

Gemäß Artikel 3 Teil 3 erklären wir hiermit die Übereinstimmung der durch Bezeichnung und Typ benannten Produkte mit der geltenden guten Ingenieurpraxis des EU Mitgliedstaates „Deutschland“.

Die Produkte dürfen gemäß diesem Artikel jedoch nicht die CE-Kennzeichnung tragen.

Durch nicht mit uns abgestimmte Produktänderungen verliert diese Erklärung ihre Gültigkeit.

EC-Directive / EG-Richtlinie:	Pressure Equipment Directive (PED) Druckgeräte Richtlinie (DGRL) 97/23/EG
Description / Bezeichnung:	Thermo-Expansion valves Series TI(S)(E)/T-.../TX2-.../TX3-.../TX6-.../L-.../935-.../ZZ-... Thermo-Expansionsventile Baureihe TI(S)(E)/T-.../TX2-.../TX3-.../TX6-.../L-.../935-.../ZZ-...
Type / Typ:	TI(S)(E)/T-.../TX2-.../TX3-.../TX6-.../L-.../935-.../ZZ-...
Conformity assessment category/ Konformitätsbewertungskategorie	Not applicable / Nicht anwendbar
Conformity assessment procedure / Konformitätsbewertungsverfahren:	Not applicable / Nicht anwendbar
CE Marking / CE-Kennzeichnung	Not applicable / Nicht anwendbar
Other Marking / Sonstige Kennzeichnung	UL
Applied Harmonized European standard / Angewandte Europäische harmonisierte Normen :	PrEN12284, EN378-1/2/4, EN12420, EN1593, EN1779
Applied other standard / Angewandte sonstige Normen	EN12024

Waiblingen, 01.01.2001

A. Nejad (Product Manager)

A handwritten signature in black ink, appearing to read "A. Nejad", is written over the printed name.



Emerson Electric GmbH & Co.
ALCO CONTROLS
Heerstraße 111,
D-71332, Waiblingen
Germany
Tel. : 00 49 7151 509-0
Fax : 00 49 7151 509-200



EC-Declaration of Conformity / EG-Konformitätserklärung

The product specified by „description“ and „type“ fulfills the requirements of the below mentioned EC-Directive. Unauthorised product modifications make this declaration invalid.

Hiermit erklären wir die Konformität des durch „Bezeichnung“ und „Typ“ benannten Produktes mit der genannten EG-Richtlinie. Durch nicht mit uns abgestimmte Produktänderungen verliert diese Erklärung ihre Gültigkeit.

EC-Directive / EG-Richtlinie:	Pressure Equipment Directive (PED) Druckgeräte Richtlinie (DGRL) 97/23/EG
Description / Bezeichnung:	Solenoid Valves Series 240 RA Magnetventile Serie 240 RA
Type / Typ:	240 RA 16 T-11, 240 RA 20 T11-M, 240 RA 20 T 13-M, 240 RA 20 T 17-M
Conformity assessment category/ Konformitätsbewertungskategorie	I
Fluid group / Gruppe der Fluide	I according to PED / Gemäß DGRL L2 according to EN378 / Gemäß EN378
Conformity assessment procedure / Konformitätsbewertungsverfahren:	Module A, Internal Quality Control Modul A, Interne Fertigungskontrolle
Harmonized European standard / Europäische harmonisierte Normen :	EN378-1/2 prEN 12284
Notified Body / Benannte Stelle	

Waiblingen, 14.06.02

G. Dettlinger (Product Manager)



Emerson Electric GmbH & Co.
ALCO CONTROLS
Heerstraße 111,
D-71332, Waiblingen
Germany
Tel. : 00 49 7151 509-0
Fax : 00 49 7151 509-200

EC-Declaration of Conformity / EG-Konformitätserklärung

According to Article 3 section 3, the products specified by „description“ and „type“ are designed and manufactured in accordance with the sound engineering practice (SEP) of member state Germany and must not bear the CE marking. Unauthorized product modifications lead to a invalid declaration.

Gemäß Artikel 3 Teil 3 erklären wir hiermit die Übereinstimmung der durch „Bezeichnung“ und „Typ“ benannten Produkte mit der geltenden guten Ingenieurpraxis des EU Mitgliedstaates Deutschland. Die Produkte dürfen gemäß diesem Artikel nicht die CE-Kennzeichnung tragen. Durch nicht mit uns abgestimmte Produktänderungen verliert diese Erklärung ihre Gültigkeit.

EC-Directive / EG-Richtlinie:	Pressure Equipment Directive (PED) Druckgeräte Richtlinie (DGRL) 97/23/EG
Description / Bezeichnung:	Solenoid Valve Series 240 RA Magnetventile Baureihe 240 RA
Type / Typ:	240 RA9-T5,7,9, 240 RA 8-T5,7, 240 RA 12-T7,9, 240 RA16-T9 540 RA8-T5, 540RA9-T5+7, 540 RA12-T7, 540 RA16-T9, 540 RA 20T-11
Conformity assessment category/ Konformitätsbewertungskategorie	Not applicable Nicht anwendbar
Fluid group / Gruppe der Fluide	I according to PED / Gemäß DGRL L2 according to EN378 / Gemäß EN378
Conformity assessment procedure / Konformitätsbewertungsverfahren:	Not applicable Nicht anwendbar
Harmonized European standard / Europäische harmonisierte Normen :	EN378-1/-2 prEN 12284
Other standard / Sonstige Normen	

Waiblingen, 14.06.02

G. Dettlinger (Product Manager)



Emerson Electric GmbH & Co.
ALCO CONTROLS
Heerstraße 111,
D-71332, Waiblingen
Germany
Tel. : 00 49 7151 509-0
Fax : 00 49 7151 509-200

EC-Declaration of Conformity / EG-Konformitätserklärung

According to Article 3 section 3, the products specified by „description“ and „type“ are designed and manufactured in accordance with the sound engineering practice (SEP) of member state Germany and must not bear the CE marking. Unauthorized product modifications lead to a invalid declaration.

Gemäß Artikel 3 Teil 3 erklären wir hiermit die Übereinstimmung der durch „Bezeichnung“ und „Typ“ benannten Produkte mit der geltenden guten Ingenieurpraxis des EU Mitgliedstaates Deutschland. Die Produkte dürfen gemäß diesem Artikel nicht die CE-Kennzeichnung tragen. Durch nicht mit uns abgestimmte Produktänderungen verliert diese Erklärung ihre Gültigkeit.

EC-Directive / EG-Richtlinie:	Pressure Equipment Directive (PED) Druckgeräte Richtlinie (DGRL) 97/23/EG
Description / Bezeichnung:	Solenoid Valve Series 110 RB, 200 RB Magnetventile Baureihe 110 RB, 200 RB
Type / Typ:	Cpl. Series Kpl. Baureihe
Conformity assessment category/ Konformitätsbewertungskategorie	Not applicable Nicht anwendbar
Fluid group / Gruppe der Fluide	I according to PED / Gemäß DGRL L2 according to EN378 / Gemäß EN378
Conformity assessment procedure / Konformitätsbewertungsverfahren:	Not applicable Nicht anwendbar
Harmonized European standard / Europäische harmonisierte Normen :	EN378-1/-2 prEN 12284
Other standard / Sonstige Normen Waiblingen, 14.06.02	

G. Dettlinger (Product Manager)

A handwritten signature in black ink, appearing to read 'G. Dettlinger', is written over a horizontal line.



Emerson Electric GmbH & Co.
ALCO CONTROLS
Heerstraße 111,
D-71332, Waiblingen
Germany
Tel. : 00 49 7151 509-0
Fax : 00 49 7151 509-200



EC-Declaration of Conformity / EG-Konformitätserklärung

The product specified by „description“ and „type“ fulfills the requirements of the below mentioned EC-Directive. Unauthorised product modifications make this declaration invalid.

Hiermit erklären wir die Konformität des durch „Bezeichnung“ und „Typ“ benannten Produktes mit der genannten EG-Richtlinie. Durch nicht mit uns abgestimmte Produkt-änderungen verliert diese Erklärung ihre Gültigkeit.

EC-Directive / EG-Richtlinie:	Pressure Equipment Directive (PED) Druckgeräte Richtlinie (DGRL) 97/23/EG
Description / Bezeichnung:	Shut-off ball valves series BVA... Kugelabsperrventile Baureihe BVA....
Type / Typ:	BVA—138/M35/158/M42/218/M54/258/318
Conformity assessment category/ Konformitätsbewertungskategorie	I
Fluid group / Gruppe der Fluide	II, according to PED / II, Gemäß DGRL L1, according to EN378 / L1, Gemäß EN378
Conformity assessment procedure / Konformitätsbewertungsverfahren:	Module A, Internal production control Modul A, Interne Fertigungskontrolle
Applied Harmonized European standard / Angewandte Europäische harmonisierte Normen :	PrEN 12284, EN378-1/2/4, EN12420, EN1593, EN1779
Applied other standard / Angewandte sonstige Normen	EN10204
Notified Body / Benannte Stelle	Not applicable / Nicht anwendbar

Waiblingen, 15.03.2002

A. Nejad (Product Manager)



Emerson Electric GmbH & Co.
ALCO CONTROLS
Heerstraße 111,
D-71332, Waiblingen
Germany
Tel. : 00 49 7151 509-0
Fax : 00 49 7151 509-200

EC-Declaration of Conformity / EG-Konformitätserklärung

According to article 3 section 3, the products specified by „description“ and „type“ are designed and manufactured in accordance with the sound engineering practice of member state Germany and must not bear the CE marking.

Unauthorised product modifications make this declaration invalid.

Gemäß Artikel 3 Teil 3 erklären wir hiermit die Übereinstimmung der durch Bezeichnung und Typ benannten Produkte mit der geltenden guten Ingenieurpraxis des EU Mitgliedstaates „Deutschland“. Die Produkte dürfen gemäß diesem Artikel jedoch nicht die CE-Kennzeichnung tragen. Durch nicht mit uns abgestimmte Produktänderungen verliert diese Erklärung ihre Gültigkeit.

EC-Directive / EG-Richtlinie:	Pressure Equipment Directive (PED) Druckgeräte Richtlinie (DGRL) 97/23/EG
Description / Bezeichnung:	Shut-off ball valves series BVA... Kugelabsperrventile Baureihe BVA....
Type / Typ:	BVA-014/M06/038/M10/012/M12/058/M16/034/078/M22/118/M28
Conformity assessment category/ Konformitätsbewertungskategorie	Not applicable / Nicht anwendbar
Conformity assessment procedure / Konformitätsbewertungsverfahren:	Not applicable / Nicht anwendbar
CE Marking / CE-Kennzeichnung	Not applicable / Nicht anwendbar
Other Marking / Sonstige Kennzeichnung	UL
Applied Harmonized European standard / Angewandte Europäische harmonisierte Normen :	PrEN12284, EN378-1/2/4, EN12420, EN1593, EN1779
Applied other standard / Angewandte sonstige Normen	EN12024

Waiblingen, 01.01.2001

A. Nejad (Product Manager)

A handwritten signature in black ink, appearing to read 'A. Nejad', is written over the printed name.



Emerson Electric GmbH & Co.
ALCO CONTROLS
Heerstraße 111,
D-71332, Waiblingen
Germany
Tel. : 00 49 7151 509-0
Fax : 00 49 7151 509-200



0035

EC-Declaration of Conformity / EG-Konformitätserklärung

The product specified by „description“ and „type“ fulfills the requirements of the below mentioned EC-Directive. Unauthorised product modifications make this declaration invalid.

Hiermit erklären wir die Konformität des durch „Bezeichnung“ und „Typ“ benannten Produktes mit der genannten EG-Richtlinie. Durch nicht mit uns abgestimmte Produktänderungen verliert diese Erklärung ihre Gültigkeit.

EC-Directive / EG-Richtlinie:	Pressure Equipment Directive (PED) Druckgeräte Richtlinie (DGRL) 97/23/EG
Description / Bezeichnung:	Cast-Iron Valves Series SC4-... to SC8-... Gußventile Baureihe SC4-... bis SC8-...
Type / Typ:	SC5-X94, SC4-X94, SC4-X91, SC5-X91, SC8-X91
Conformity assessment category/ Konformitätsbewertungskategorie	II
Fluid group / Gruppe der Fluide	I according to PED / Gemäß DGRL L2 according to EN378 / Gemäß EN378
Conformity assessment procedure / Konformitätsbewertungsverfahren:	Module A1, Internal Quality Control with supervision by TÜV Modul A1, Interne Fertigungskontrolle mit Überwachung der Abnahme
Harmonized European standard / Europäische harmonisierte Normen :	EN378-1/2 (up to ambient temperature 32°C) (bis zu 32°C Umgebungstemperatur) prEN 12284
Other standard / Sonstige Normen	
Notified Body / Benannte Stelle	TÜV Rheinland Anlagentechnik GmbH Am Grauen Stein D-51105 Cologne / Köln Germany

Waiblingen, 14.06.02

G. Dettlinger (Product Manager)



Emerson Electric GmbH & Co.
ALCO CONTROLS
Heerstraße 111,
D-71332, Waiblingen
Germany
Tel. : 00 49 7151 509-0
Fax : 00 49 7151 509-200



EC-Declaration of Conformity / EG-Konformitätserklärung

The product specified by „description“ and „type“ fulfills the requirements of the below mentioned EC-Directive. Unauthorised product modifications make this declaration invalid.

Hiermit erklären wir die Konformität des durch „Bezeichnung“ und „Typ“ benannten Produktes mit der genannten EG-Richtlinie. Durch nicht mit uns abgestimmte Produktänderungen verliert diese Erklärung ihre Gültigkeit.

EC-Directive / EG-Richtlinie:	Pressure Equipment Directive (PED) Druckgeräte Richtlinie (DGRL) 97/23/EG
Description / Bezeichnung:	Cast-Iron Valves Series SC4-... to SC8-... Gußventile Baureihe SC4-... bis SC8-...
Type / Typ:	SC4-B91, SC4-SP1, SC4-SN5, SC4-SP5, SC4-S95, SC4-KP4, SC4-SO5, SC5-DQ5, SC5-KS4, SC5-B91, SC5-SN5, SC5-S95, SC5-DO5, SC5-SO5, SC5-SQ5, SC5-SS5, SC5-SR5, SC5-BN5, SC5-KQ4, SC8-SR1, SC8-S91, SC8-ST1, SC8-B91, SC8-DR1, SC8-DT1,
Conformity assessment category/ Konformitätsbewertungskategorie	I
Fluid group / Gruppe der Fluide	II according to PED / Gemäß DGRL L1 according to EN378 / Gemäß EN378
Conformity assessment procedure / Konformitätsbewertungsverfahren:	Module A, Internal Quality Control Modul A, Interne Fertigungskontrolle
Harmonized European standard / Europäische harmonisierte Normen :	EN378-1/2 (up to ambient temperature 32°C) (bis zu Umgebungstemperaturen 32°C) prEN 12284

Other standard / Sonstige Normen

Notified Body / Benannte Stelle

Waiblingen, 14.06.02

G. Dettlinger (Product Manager)



Emerson Electric GmbH & Co.
ALCO CONTROLS
Heerstraße 111,
D-71332, Waiblingen
Germany
Tel. : 00 49 7151 509-0
Fax : 00 49 7151 509-200



EC-Declaration of Conformity / EG-Konformitätserklärung

The product specified by „description“ and „type“ fulfills the requirements of the below mentioned EC-Directive. Unauthorised product modifications make this declaration invalid.

Hiermit erklären wir die Konformität des durch „Bezeichnung“ und „Typ“ benannten Produktes mit der genannten EG-Richtlinie. Durch nicht mit uns abgestimmte Produktänderungen verliert diese Erklärung ihre Gültigkeit.

EC-Directive / EG-Richtlinie:	Pressure Equipment Directive (PED) Druckgeräte Richtlinie (DGRL) 97/23/EG
Description / Bezeichnung:	Steel Valves Series SR-, SW-, SF- Stahlventile Serie SR-, SW-, SF- -
Type / Typ:	(see attachment) (siehe Anlage)
Conformity assessment category/ Konformitätsbewertungskategorie	I
Fluid group / Gruppe der Fluide	II according to PED / Gemäß DGRL L1 according to EN378 / Gemäß EN378
Conformity assessment procedure / Konformitätsbewertungsverfahren:	Module A, Internal Quality Control Modul A, Interne Fertigungskontrolle
Harmonized European standard / Europäische harmonisierte Normen :	EN378-1/2/3/4 prEN 12284
Other standard / Sonstige Normen	
Notified Body / Benannte Stelle	

Waiblingen, 14.06.02

G. Dettlinger (Product Manager)

A handwritten signature in black ink, appearing to read 'G. Dettlinger', written over a horizontal line.

Steel Valves Series SR-, SW-, SF- with CE marking

PCN	Description/Bezeichnung
17007004	SF4-4Q1 (Cu gest.)
17007003	SF4-4Q1 (Cu)
17007002	SF4-4Q1 (Sn gest.)
17007001	SF4-4Q1 (Sn)
17016304	SF4-4Q7 (CU gest.)
17016303	SF4-4Q7 (Cu)
17016302	SF4-4Q7 (SN gest.)
17016301	SF4-4Q7 (SN)
17007101	SF4-4Y1
17001401	SF4-5Y1 (Sn)
17005604	SR4-YQ1 (Cu gest.)
17005603	SR4-YQ1 (Cu)
17005602	SR4-YQ1 (Sn gest.)
17005601	SR4-YQ1 (Sn)
17013904	SR4-YQ2 (Cu gest.)
17013903	SR4-YQ2 (Cu)
17013993	SR4-YQ2 (Cu) Linde spez.
17013902	SR4-YQ2 (Sn gest.)
17013901	SR4-YQ2 (Sn)
17013404	SR4-YQ3 (Cu gest.)
17013403	SR4-YQ3 (Cu)
17013402	SR4-YQ3 (Sn gest.)
17013401	SR4-YQ3 (Sn)
17017004	SR4-YQ4 (Cu gest.)
17017003	SR4-YQ4 (Cu)
17017002	SR4-YQ4 (Sn gest.)
17017001	SR4-YQ4 (Sn)
17014004	SR4-YR1 (Cu gest.)
17014003	SR4-YR1 (Cu)
17014002	SR4-YR1 (Sn gest.)
17014001	SR4-YR1 (Sn)
17014104	SR4-YS1 (Cu gest.)
17014103	SR4-YS1 (Cu)
17014102	SR4-YS1 (Sn gest.)
17014101	SR4-YS1 (Sn)
17004002	SR4-YY2 (Sn gest.)
17004001	SR4-YY2 (Sn)
22500103	SR5-ZQ1 (Cu)
22500203	SR5-ZR1 (Cu)
22500303	SR5-ZS1 (Cu)
17006001	SW4-34-R2 LGL
17005803	SW4-QQ1 (Cu)
17005801	SW4-QQ1 (Sn)
17005903	SW4-RR1 (Cu)
17005901	SW4-RR1 (Sn)
22600103	SW5-RR1 (Cu)



Emerson Electric GmbH & Co.
ALCO CONTROLS
Heerstraße 111,
D-71332, Waiblingen
Germany
Tel. : 00 49 7151 509-0
Fax : 00 49 7151 509-200

EC-Declaration of Conformity / EG-Konformitätserklärung

According to Article 3 section 3, the products specified by „description“ and „type“ are designed and manufactured in accordance with the sound engineering practice (SEP) of member state Germany and must not bear the CE marking. Unauthorized product modifications lead to a invalid declaration.

Gemäß Artikel 3 Teil 3 erklären wir hiermit die Übereinstimmung der durch „Bezeichnung“ und „Typ“ benannten Produkte mit der geltenden guten Ingenieurpraxis des EU Mitgliedstaates Deutschland. Die Produkte dürfen gemäß diesem Artikel nicht die CE-Kennzeichnung tragen. Durch nicht mit uns abgestimmte Produktänderungen verliert diese Erklärung ihre Gültigkeit.

EC-Directive / EG-Richtlinie:	Pressure Equipment Directive (PED) Druckgeräte Richtlinie (DGRL) 97/23/EG
Description / Bezeichnung:	Steel Valves Series SR-, SW-, SF-, SS- Stahlventile Serie SR-, SW-, SF-, SS-
Type / Typ:	(see attachment) (siehe Anlage)
Conformity assessment category/ Konformitätsbewertungskategorie	Not applicable Nicht anwendbar
Fluid group / Gruppe der Fluide	II according to PED / Gemäß DGRL L1 according to EN378 / Gemäß EN378
Conformity assessment procedure / Konformitätsbewertungsverfahren:	Not applicable Nicht anwendbar
Harmonized European standard / Europäische harmonisierte Normen :	EN378-1/2 prEN 12284
Other standard / Sonstige Normen	

Waiblingen, 14.06.02

G. Dettlinger (Product Manager)

Steel Valves Series SR-, SW-, SF-, SS without CE marking

Part-No./ Artikelnr.	Description/ Bezeichnung	Part-No./ Artikelnr.	Description/ Bezeichnung	Part-No./ Artikelnr.	Description/ Bezeichnung
15902004	SF1-1C1 (CU gest.)	16303801	SF3-6O1 (Sn)	16002902	SR3-XN2 (Sn gest.)
15902003	SF1-1C1 (Cu)	15703404	SR1-VC1 (Cu gest.)	16002901	SR3-XN2 (Sn)
15902002	SF1-1C1 (SN gest.)	15703403	SR1-VC1 (Cu)	16002104	SR3-XN3 (Cu gest.)
15902001	SF1-1C1 (SN)	15703402	SR1-VC1 (Sn gest.)	16002103	SR3-XN3 (Cu)
15902204	SF1-1H1 (Cu gest.)	15703401	SR1-VC1 (Sn)	16002193	SR3-XN3 (Cu) Linde spez.
15902203	SF1-1H1 (Cu)	15703204	SR1-VD1 (Cu gest.)	16002102	SR3-XN3 (Sn gest.)
15902202	SF1-1H1 (Sn gest.)	15703203	SR1-VD1 (Cu)	16002101	SR3-XN3 (Sn)
15902201	SF1-1H1 (Sn)	15703202	SR1-VD1 (Sn gest.)	16003721	SR3-XN4
15702501	SF1-3V1 (Sn)	15700588	SR1-VV1 (Sn)		
17402101	SF2-3W1 (Sn)	15700888	SR1-WV1 (Sn)		
16301191	SF3-3X1 (sn)	15310688	SR2-WW2 (Sn)		
15902503	SF1-2D1 (CU)	15703201	SR1-VD1 (Sn)	16003704	SR3-XN4 (Cu gest.)
15902523	SF1-2D1 (CU) Staubk.	15703004	SR1-WC1 (Cu gest.)	16003703	SR3-XN4 (Cu)
15902104	SF1-2H1 (Cu gest.)	15703003	SR1-WC1 (Cu)	16003793	SR3-XN4 (Cu) Linde spez
15902103	SF1-2H1 (Cu)	15703002	SR1-WC1 (Sn gest.)	16003702	SR3-XN4 (Sn gest.)
15902123	SF1-2H1 (Cu)	15703001	SR1-WC1 (Sn)	16000304	SR3-XO1 (Cu gest.)
15902133	SF1-2H1 (Cu) Staubk.	15703104	SR1-WC2 (Cu gest.)	16000303	SR3-XO1 (Cu)
15902102	SF1-2H1 (Sn gest.)	15703103	SR1-WC2 (Cu)	16000302	SR3-XO1 (Sn gest.)
15902101	SF1-2H1 (Sn)	15703102	SR1-WC2 (Sn gest.)	16000301	SR3-XO1 (Sn)
15902121	SF1-2H1 (Sn)	15703101	SR1-WC2 (Sn)	16002404	SR3-XO3 (Cu gest.)
15902131	SF1-2H1 (Sn) Staubk.	15702904	SR1-WC4 (Cu gest.)	16002403	SR3-XO3 (Cu)
15902431	SF1-2V1	15702903	SR1-WC4 (Cu)	16002402	SR3-XO3 (Sn gest.)
15902433	SF1-2V1 (Cu)	15702902	SR1-WC4 (Sn gest.)	16002401	SR3-XO3 (Sn)
15902401	SF1-2V1 (SN)	15703304	SR1-WD1 (Cu gest.)	16003821	SR3-XO4
15901401	SF1-7H1	15703303	SR1-WD1 (Cu)	16003804	SR3-XO4 (Cu gest.)
15901403	SF1-7H1	15703302	SR1-WD1 (Sn gest.)	16003803	SR3-XO4 (Cu)
15901411	SF1-7H1	15703301	SR1-WD1 (Sn)	16003802	SR3-XO4 (Sn gest.)
17401901	SF2-2-1-/16"UNS-1	15703604	SR1-WD3 (Cu gest.)	16000204	SR3-XP1 (Cu gest.)
17402001	SF2-2-7/8"UNF-0	15703603	SR1-WD3 (Cu)	16000203	SR3-XP1 (Cu)
17401631	SF2-2-7/8"UNF-1	15703602	SR1-WD3 (Sn gest.)	16000202	SR3-XP1 (Sn gest.)
17401601	SF2-2-7/8"UNF-1 (SN)	15703601	SR1-WD3 (Sn)	16000201	SR3-XP1 (Sn)
17401503	SF2-2F1 (Cu)	15703503	SR1-WD4 (Cu)	16100101	SR3-XX1
17400304	SF2-2G1 (CU gest.)	15702221	SR1-WF1	16004104	SR3-YN4 (Cu gest.)
17400303	SF2-2G1 (Cu)	15702223	SR1-WF1	16004103	SR3-YN4 (Cu)
17400302	SF2-2G1 (SN gest.)	15702204	SR1-WF1 (Cu gest.)	16004102	SR3-YN4 (Sn gest.)
17400301	SF2-2G1 (SN)	15702203	SR1-WF1 (Cu)	16004101	SR3-YN4 (Sn)
17401804	SF2-2K1 (CU gest.)	15702202	SR1-WF1 (Sn gest.)	17004104	SR4-YN1 (Cu gest.)
17401504	SF2-2K1 (CU gest.) Sinter	15702201	SR1-WF1 (Sn)	17004103	SR4-YN1 (Cu)
17401502	SF2-2K1 (SN gest.)	15702321	SR1-WF4	17004102	SR4-YN1 (Sn gest.)
17401501	SF2-2K1 (SN)	15702371	SR1-WF4	17004101	SR4-YN1 (Sn)
17401704	SF2-2L0 (Cu gest.)	15702304	SR1-WF4 (Cu gest.)	17013504	SR4-YN2 (Cu gest.)
17401703	SF2-2L0 (Cu)	15702303	SR1-WF4 (Cu)	17013503	SR4-YN2 (Cu)
17401702	SF2-2L0 (Sn gest.)	15702302	SR1-WF4 (Sn gest.)	17013502	SR4-YN2 (Sn gest.)
17401701	SF2-2L0 (Sn)	15702004	SR1-WG1 (Cu gest.)	17013501	SR4-YN2 (Sn)
17401104	SF2-2L1 (Cu gest.)	15702003	SR1-WG1 (Cu)	17005104	SR4-YO1 (Cu gest.)
17401103	SF2-2L1 (Cu)	15702002	SR1-WG1 (Sn gest.)	17005103	SR4-YO1 (Cu)
17401803	SF2-2L1 (Cu)	15702001	SR1-WG1 (Sn)	17005102	SR4-YO1 (Sn gest.)
17401102	SF2-2L1 (Sn gest.)	15702104	SR1-WG4 (CU gest.)	17005101	SR4-YO1 (Sn)
17401802	SF2-2L1 (SN gest.)	15702103	SR1-WG4 (CU)	17013804	SR4-YO2 (Cu gest.)
17401101	SF2-2L1 (Sn)	15703703	SR1-WG4 (Cu)	17013803	SR4-YO2 (Cu)
17401801	SF2-2L1 (SN)	15702102	SR1-WG4 (Sn gest.)	17013893	SR4-YO2 (Cu) Linde spez.
17401123	SF2-2M1 (Cu)	15303804	SR1-WM1 (Cu gest.)	17013802	SR4-YO2 (Sn gest.)
17401133	SF2-2M1 (Cu) Staubk.	15303803	SR1-WM1 (Cu)	17013801	SR4-YO2 (Sn)
17401121	SF2-2M1 (Sn)	15303802	SR1-WM1 (Sn gest.)	17013304	SR4-YO3 (Cu gest.)
17401131	SF2-2M1 (Sn) Staubk.	15303801	SR1-WM1 (Sn)	17013303	SR4-YO3 (Cu)

Steel Valves Series SR-, SW-, SF-, SS without CE marking (cont'd)

17401311 SF2-7L1	15303821 SR1-WM1 (Sn)	17013302 SR4-YO3 (Sn gest.)
17401304 SF2-7L1 (CU gest.)	16000404 SR1-XJ1 (Cu gest.)	17013301 SR4-YO3 (Sn)
17401303 SF2-7L1 (Cu)	16000403 SR1-XJ1 (Cu)	17016704 SR4-YO4 (Cu gest.)
17401302 SF2-7L1 (SN gest.)	16000402 SR1-XJ1 (Sn gest.)	17016703 SR4-YO4 (Cu)
17401301 SF2-7L1 (SN)Sinter	16000401 SR1-XJ1 (Sn)	17016702 SR4-YO4 (Sn gest.)
16318903 SF3-2N1(Cu)	16000504 SR1-XK1 (Cu gest.)	17016701 SR4-YO4 (Sn)
16318951 SF3-2N1(Cu)	16000503 SR1-XK1 (Cu)	17004604 SR4-YP1 (Cu gest.)
16318953 SF3-2N1(Cu)	16000502 SR1-XK1 (Sn gest.)	17004603 SR4-YP1 (Cu)
16319003 SF3-2O1 (Cu)	16000501 SR1-XK1 (Sn)	17004602 SR4-YP1 (Sn gest.)
16319053 SF3-2O1 (Cu)	15312003 SR2-WL1	17004601 SR4-YP1 (Sn)
16319001 SF3-2O1 (Sn)	15305503 SR2-WM2 (Cu)	17016904 SR4-YP2 (Cu gest.)
16319051 SF3-2O1 (Sn)	15311904 SR2-WM4 (Cu gest.)	17016903 SR4-YP2 (Cu)
16300201 SF3-2X1 (Sn)	15311903 SR2-WM4 (Cu)	17016902 SR4-YP2 (Sn gest.)
16300251 SF3-2X1 (Sn)	15311993 SR2-WM4 (Cu)	17016901 SR4-YP2 (Sn)
16309291 SF3-3J1	15311902 SR2-WM4 (Sn gest.)	17016804 SR4-YP4 (Cu gest.)
16300401 SF3-3J1 (SN) Staubk.	15311901 SR2-WM4 (Sn)	17016803 SR4-YP4 (Cu)
16301291 SF3-3N1	15311971 SR2-WM4 (Sn)	17016802 SR4-YP4 (SN gest.)
16304191 SF3-3O1	15312403 SR2-WN4 (Cu)	17016801 SR4-YP4 (SN)
16301191 SF3-3X1	15312401 SR2-WN4 (Sn)	15730703 SW1-DU1 (Cu)
16301392 SF3-4N1 (Cu)	17611004 SR2-XL1(Cu gest.)	15730701 SW1-DU1 (SN)
16301391 SF3-4N1 (Sn gest.)	17611003 SR2-XL1(Cu)	15731503 SW1-FF1 (Cu)
16301301 SF3-4N1 (Sn)	17611002 SR2-XL1(Sn gest.)	15731501 SW1-FF1 (SN)
16303293 SF3-4O1 (Cu)	17611001 SR2-XL1(Sn)	15731403 SW1-GG1 (Cu)
16303292 SF3-4O1 (Sn gest.)	17611104 SR2-XM1(Cu gest.)	15731401 SW1-GG1 (SN)
16303291 SF3-4O1 (Sn)	17611103 SR2-XM1(Cu)	15732603 SW1-GU1 (Cu)
16302891 SF3-4P1 (Cu)	17611102 SR2-XM1(Sn gest.)	15732601 SW1-GU1 (SN)
16300491 SF3-4X1 (Sn)	17611101 SR2-XM1(Sn)	14614101 SW2-LF1(SN)
16301091 SF3-4X2	17610921 SR2-XM4	14614103 SW2-MF1 (Cu)
16302591 SF3-4X5	17610904 SR2-XM4 (Cu gest.)	14613403 SW2-MM1 (CU)
16300991 SF3-4X7	17610903 SR2-XM4 (Cu)	14613401 SW2-MM1 (Sn)
16300851 SF3-5X1 (Sn)	17611303 SR2-XM4 (Cu)	16200603 SW3-19mm-N1 (Cu)
16318604 SF3-62mm-N1 (CU gest.)	17610902 SR2-XM4 (Sn gest.)	16200601 SW3-19mm-N1 (Sn)
16318603 SF3-62mm-N1 (Cu)	17611203 SR2-XU4 (Cu)	16200303 SW3-JJ1 (Cu)
16318602 SF3-62mm-N1 (SN gest.)	16004004 SR3-XJ4 (Cu gest.)	16200301 SW3-JJ1 (Sn)
16318601 SF3-62mm-N1 (SN)	16004002 SR3-XJ4 (Sn gest.)	16200403 SW3-KK1 (Cu)
16318704 SF3-62mm-O1 (CU gest.)	16004001 SR3-XJ4 (Sn)	16200401 SW3-KK1 (Sn)
16318703 SF3-62mm-O1 (Cu)	16004003 SR3-XJ4(Cu)	16200103 SW3-NN1 (Cu)
16318702 SF3-62mm-O1 (SN gest.)	16002004 SR3-XK3 (Cu gest.)	16200203 SW3-NN1 (Cu)
16318701 SF3-62mm-O1 (SN)	16002003 SR3-XK3 (Cu)	16200101 SW3-NN1 (Sn)
16316504 SF3-6N1 (Cu gest.)	16002093 SR3-XK3 (Cu)	16200201 SW3-NN1 (Sn)
16316503 SF3-6N1 (Cu)	16002002 SR3-XK3 (Sn gest.)	16200803 SW3-OO1 (Cu)
16316502 SF3-6N1 (Sn gest.)	16002001 SR3-XK3 (Sn)	16200801 SW3-OO1 (Sn)
16316501 SF3-6N1 (Sn)	16003904 SR3-XK4 (Cu gest.)	16200703 SW3-PP1 (Cu)
16303804 SF3-6O1 (Cu gest.)	16003903 SR3-XK4 (Cu)	16200701 SW3-PP1 (Sn)
16303803 SF3-6O1 (Cu)	16003902 SR3-XK4 (Sn gest.)	17005203 SW4-OO1 (Cu)
16303802 SF3-6O1 (Sn gest.)	16003901 SR3-XK4 (Sn)	17005201 SW4-OO1 (Sn)
	16000104 SR3-XN1 (Cu gest.)	17016103 SW4-QP1 (Cu)
	16000103 SR3-XN1 (Cu)	17016101 SW4-QP1((Sn)
	16000102 SR3-XN1 (Sn gest.)	
	16000101 SR3-XN1 (Sn)	14500088 SS2-EW4
	16002904 SR3-XN2 (Cu gest.)	14500188 SS2-HW4
	16002903 SR3-XN2 (Cu)	14500288 SS2-LW4



Emerson Electric GmbH & Co.
ALCO CONTROLS
Heerstraße 111,
D-71332, Waiblingen
Germany
Tel. : 00 49 7151 509-0
Fax : 00 49 7151 509-200

EC-Declaration of Conformity / EG-Konformitätserklärung

According to Article 3 section 3, the products specified by „description“ and „type“ are designed and manufactured in accordance with the sound engineering practice (SEP) of member state Germany and must not bear the CE marking. Unauthorized product modifications lead to a invalid declaration.

Gemäß Artikel 3 Teil 3 erklären wir hiermit die Übereinstimmung der durch „Bezeichnung“ und „Typ“ benannten Produkte mit der geltenden guten Ingenieurpraxis des EU Mitgliedstaates Deutschland. Die Produkte dürfen gemäß diesem Artikel nicht die CE-Kennzeichnung tragen. Durch nicht mit uns abgestimmte Produktänderungen verliert diese Erklärung ihre Gültigkeit.

EC-Directive / EG-Richtlinie:	Pressure Equipment Directive (PED) Druckgeräte Richtlinie (DGRL) 97/23/EG
Description / Bezeichnung:	Pressure Regulators Series ACP, CPHE, HP, PRE, PRC Druckregler Serie ACP, CPHE, HP, PRE, PRC
Type / Typ:	cpl. Series kpl. Baureihen
Conformity assessment category/ Konformitätsbewertungskategorie	Not applicable Nicht anwendbar
Fluid group / Gruppe der Fluide	I according to PED / Gemäß DGRL L2 according to EN378 / Gemäß EN378
Conformity assessment procedure / Konformitätsbewertungsverfahren:	Not applicable Nicht anwendbar
Harmonized European standard / Europäische harmonisierte Normen :	EN378-1/-2 prEN 12284
Other standard / Sonstige Normen Waiblingen, 14.06.02	

G. Dettlinger (Product Manager)



Emerson Electric GmbH & Co.
ALCO CONTROLS
Heerstraße 111,
D-71332, Waiblingen
Germany
Tel. : 00 49 7151 509-0
Fax : 00 49 7151 509-200



EC-Declaration of Conformity / EG-Konformitätserklärung

The product specified by „description“ and „type“ fulfills the requirements of the below mentioned EC-Directive. Unauthorised product modifications make this declaration invalid.

Hiermit erklären wir die Konformität des durch „Bezeichnung“ und „Typ“ benannten Produktes mit der genannten EG-Richtlinie. Durch nicht mit uns abgestimmte Produktänderungen verliert diese Erklärung ihre Gültigkeit.

EC-Directive / EG-Richtlinie:	Pressure Equipment Directive (PED) Druckgeräte Richtlinie (DGRL) 97/23/EG
Description / Bezeichnung:	Sight Glasses Series AMI Schaugläser Serie AMI
Type / Typ:	AMI-2S11, AMI-2S13, AMI-2S 17, AMI-3S11
Conformity assessment category/ Konformitätsbewertungskategorie	I
Fluid group / Gruppe der Fluide	I according to PED / Gemäß DGRL L2 according to EN378 / Gemäß EN378
Conformity assessment procedure / Konformitätsbewertungsverfahren:	Module A, Internal Quality Control Modul A, Interne Fertigungskontrolle
Harmonized European standard / Europäische harmonisierte Normen :	EN378-1/2 prEN 12178

Other standard / Sonstige Normen

Notified Body / Benannte Stelle

Waiblingen, 14.06.02

G. Dettlinger (Product Manager)

A handwritten signature in black ink, appearing to read 'G. Dettlinger', written over a horizontal line.



Emerson Electric GmbH & Co.
ALCO CONTROLS
Heerstraße 111,
D-71332, Waiblingen
Germany
Tel. : 00 49 7151 509-0
Fax : 00 49 7151 509-200

EC-Declaration of Conformity / EG-Konformitätserklärung

According to Article 3 section 3, the products specified by „description“ and „type“ are designed and manufactured in accordance with the sound engineering practice (SEP) of member state Germany and must not bear the CE marking. Unauthorized product modifications lead to a invalid declaration.

Gemäß Artikel 3 Teil 3 erklären wir hiermit die Übereinstimmung der durch „Bezeichnung“ und „Typ“ benannten Produkte mit der geltenden guten Ingenieurpraxis des EU Mitgliedstaates Deutschland. Die Produkte dürfen gemäß diesem Artikel nicht die CE-Kennzeichnung tragen. Durch nicht mit uns abgestimmte Produktänderungen verliert diese Erklärung ihre Gültigkeit.

EC-Directive / EG-Richtlinie:	Pressure Equipment Directive (PED) Druckgeräte Richtlinie (DGRL) 97/23/EG
Description / Bezeichnung:	Sight Glasses Series AMI/MIA Schaugläser Baureihe AMI/MIA
Type / Typ:	(see attachment) (siehe Anlage)
Conformity assessment category/ Konformitätsbewertungskategorie	Not applicable Nicht anwendbar
Fluid group / Gruppe der Fluide	I according to PED / Gemäß DGRL L2 according to EN378 / Gemäß EN378
Conformity assessment procedure / Konformitätsbewertungsverfahren:	Not applicable Nicht anwendbar
Harmonized European standard / Europäische harmonisierte Normen :	EN378-1/-2 prEN 12178
Other standard / Sonstige Normen	

Waiblingen, 14.06.02

G. Dettlinger (Product Manager)

A handwritten signature in black ink, appearing to read 'G. Dettlinger', is written over a horizontal line.

Sight Glasses Series AMI/MIA without CE marking

805644	AMI- GP6016-1
805636	AMI- GP6102
805724	AMI- GP6103
805706	AMI-1 MM2
805707	AMI-1 MM3
805708	AMI-1 MM4
805709	AMI-1 MM5
805702	AMI-1 MS5 GL0001
805732	AMI-1 SS2 metr
805713	AMI-1 SS2 zoll
805733	AMI-1 SS3 metr
805714	AMI-1 SS3 zoll
805734	AMI-1 SS4 metr
805715	AMI-1 SS4 zoll
805716	AMI-1 SS5
805717	AMI-1 SS7
805703	AMI-1 SS9 metr
805705	AMI-1 SS9 zoll
805655	AMI-1 TT2
805641	AMI-1 TT2 GP6100
805697	AMI-1 TT2 metr
805654	AMI-1 TT3
805698	AMI-1 TT3 metr.
805653	AMI-1 TT4
805699	AMI-1 TT4 metr
805652	AMI-1 TT5
805656	AMI-1 TT7
805651	AMI-1 TT9
805700	AMI-1 TT9 metr
805710	AMI-1FM2
805711	AMI-1FM3
805712	AMI-1FM4
805650	AMI-3 S7
805649	AMI-3 S9
805853	MIA 012
805851	MIA 014
805852	MIA 038
805854	MIA 058
805864	MIA 078
805870	MIA D10
805846	MIA M06
805847	MIA M10
805866	MIA M10S male female
805848	MIA M12
805865	MIA M12S male-female



Emerson Electric GmbH & Co.
ALCO CONTROLS
Heerstraße 111,
D-71332 Waiblingen
Germany
Tel. : 00 49 7151 509-0
Fax : 00 49 7151 509-200



EC-Declaration of Conformity / EG-Konformitätserklärung

The product specified by „description“ and „type“ fulfills the requirements of the below mentioned EC-Directive. Unauthorized product modifications make this declaration invalid.

Hiermit erklären wir die Konformität des durch „Bezeichnung“ und „Typ“ benannten Produktes mit der genannten EG-Richtlinie. Durch nicht mit uns abgestimmte Produktänderungen verliert diese Erklärung ihre Gültigkeit.

EC-Directive / EG-Richtlinie:	Pressure Equipment Directive (PED) Druckgeräte Richtlinie (DGRL) 97/23/EG
Description / Bezeichnung:	Steel Adapter Series SAW-, SAS- Stahladapter Serie SAW-, SAS-
Type / Typ:	SAS-YQ0, SAS-YS0, SAS-YY0, SAS-ZQ0, SAS-ZR0, SAS-ZS0, SAW-YQ0, SAW-YQ0, SAW-YQ1, SAW-YS0, SAW-ZS0
Conformity assessment category/ Konformitätsbewertungskategorie	I
Fluid group / Gruppe der Fluide	II according to PED / Gemäß DGRL L1 according to EN378 / Gemäß EN378
Conformity assessment procedure / Konformitätsbewertungsverfahren:	Module A, Internal Quality Control Modul A, Interne Fertigungskontrolle
Harmonized European standard / Europäische harmonisierte Normen :	EN378-1/2/3/4
Other standard / Sonstige Normen	
Notified Body / Benannte Stelle	

Waiblingen, 14.06.02

G. Dettlinger (Product Manager)



ALCO CONTROLS is not to be held responsible for erroneous literature regarding capacities, dimensions, applications, etc. stated herein. Products, specifications and data in this literature are subject to change without notice. The information given herein is based on technical data and tests which ALCO CONTROLS believes to be reliable and which are in

compliance with technical knowledge of today. It is intended only for use by persons having the appropriate technical knowledge and skills, at their own discretion and risk. Since conditions of use are outside of ALCO'S control we can not assume any liability for results obtained or damages occurred due to improper application.

<p>ALCO CONTROLS Emerson Electric GmbH & Co Postfach 1251 Heerstraße 111 D-71332 Waiblingen Germany Phone ...49-7151-509-0 Fax ...49-7151-509-200 www.alco-controls.com</p>	<p>Benelux Denmark & Finland Eastern Europe France Germany Italy Middle East & Africa Poland Russia & Cis Spain & Portugal Sweden & Norway UK & Ireland</p>	<p>Phone: +31 (0)492 472 416 +44 (0) 1635 876 161 +32 (0)87 305 061 +33 (0)4 78 66 85 70 +49 (0)6109 6059 -0 +39 02 961 781 +32 (0)87 305 550 +48 225 485 205 +7 095 232 94 72 +34 93 41 23 752 +44 (0) 1635 876 161 +44 (0) 1635 876 161</p>	<p>Fax: +31 (0)492 472 621 +44 (0) 1635 877 111 +32 (0)87 305 506 +33 (0)4 78 66 85 71 +49 (0)6109 6059 40 +39 02 961 788 888 +32 (0)87 305 506 +48 225 485 255 +7 095 232 03 56 +34 93 41 24 215 +44 (0) 1635 877 111 +44 (0) 1635 877 111</p>
--	---	---	---