

CERTIFICATE OF PLANT DESIGN REGISTRATION

Work Health & Safety Act 2011
Work Health & Safety Regulation 2017

ABN: 81 913 830 179
Phone: 13 10 50

Registration No: PV 6-218318/17 **Issue Date:** 29/11/2017

Registration Holder: DANFOSS A/S
Postal Address: 81 NORBORGVEJ
NORDBORG 6430
DENMARK

Plant Type: Pressure Vessel Original

Model Number/ Trade Name: 4 Cyl Compressor 3 Phase shell 1

Technical Standard : EN 14276-1:2006 + A1:2011

Engineering Principles: No

Design Description:

Hazard Level	C
Contents	Harmful
Chamber 1 Volume (l)	33.0
Chamber 1 Design Pressure (kPa)	0 to 2260
Chamber 1 Temperature (°C)	-35 to +50
Chamber 1 Fluid Type	Gas
Drawing Number & Revisions	9804036_151 Rev A
Pressure Vessel	Other
Other Type	HERMETIC COMPRESSOR SHELL
Number of Chambers	1

Note: The design of an item of plant registered under the Occupational Health and Safety Regulation immediately before the repeal of that regulation is deemed to have been registered under part 5.3 of the WHS Regulation

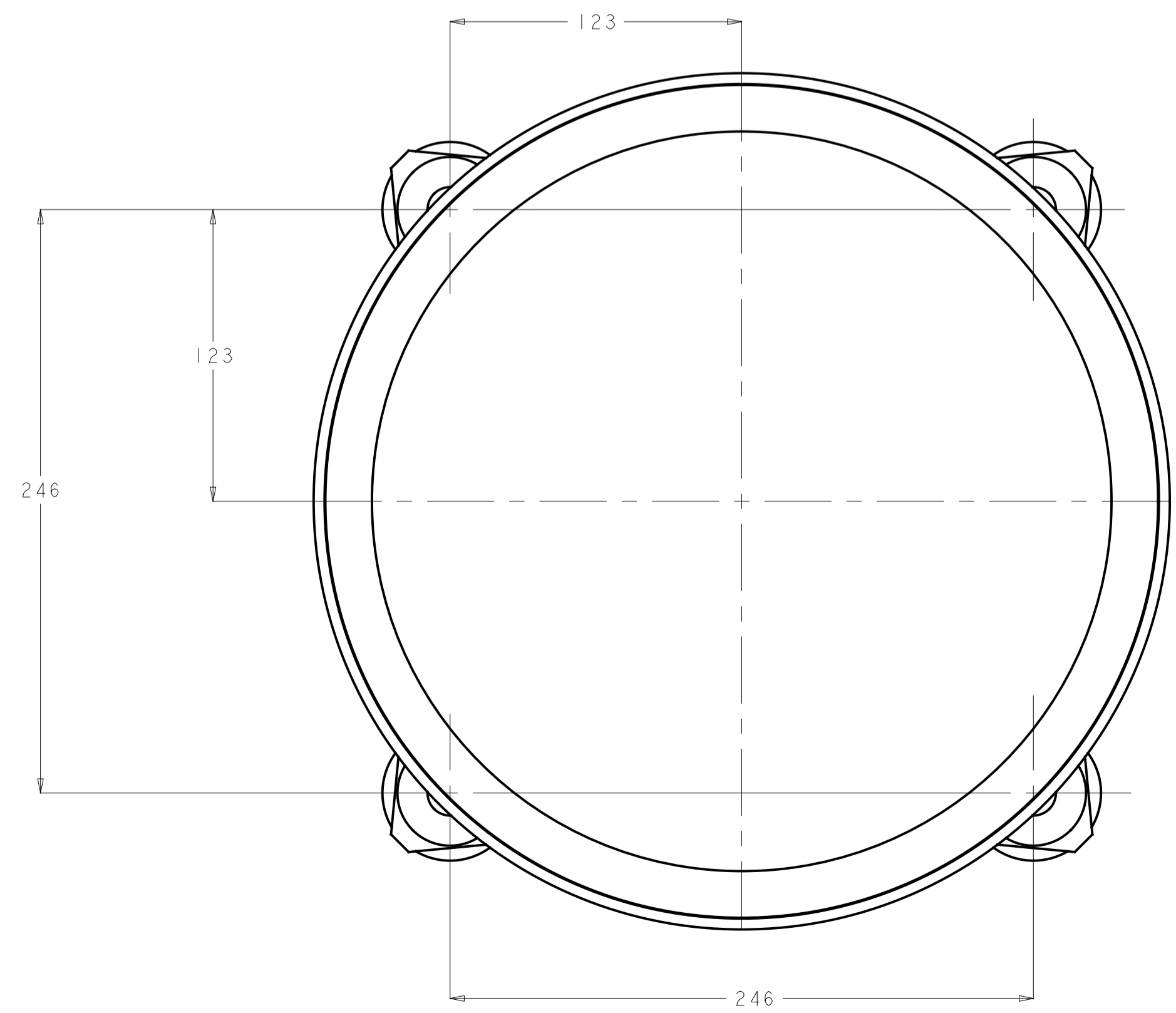
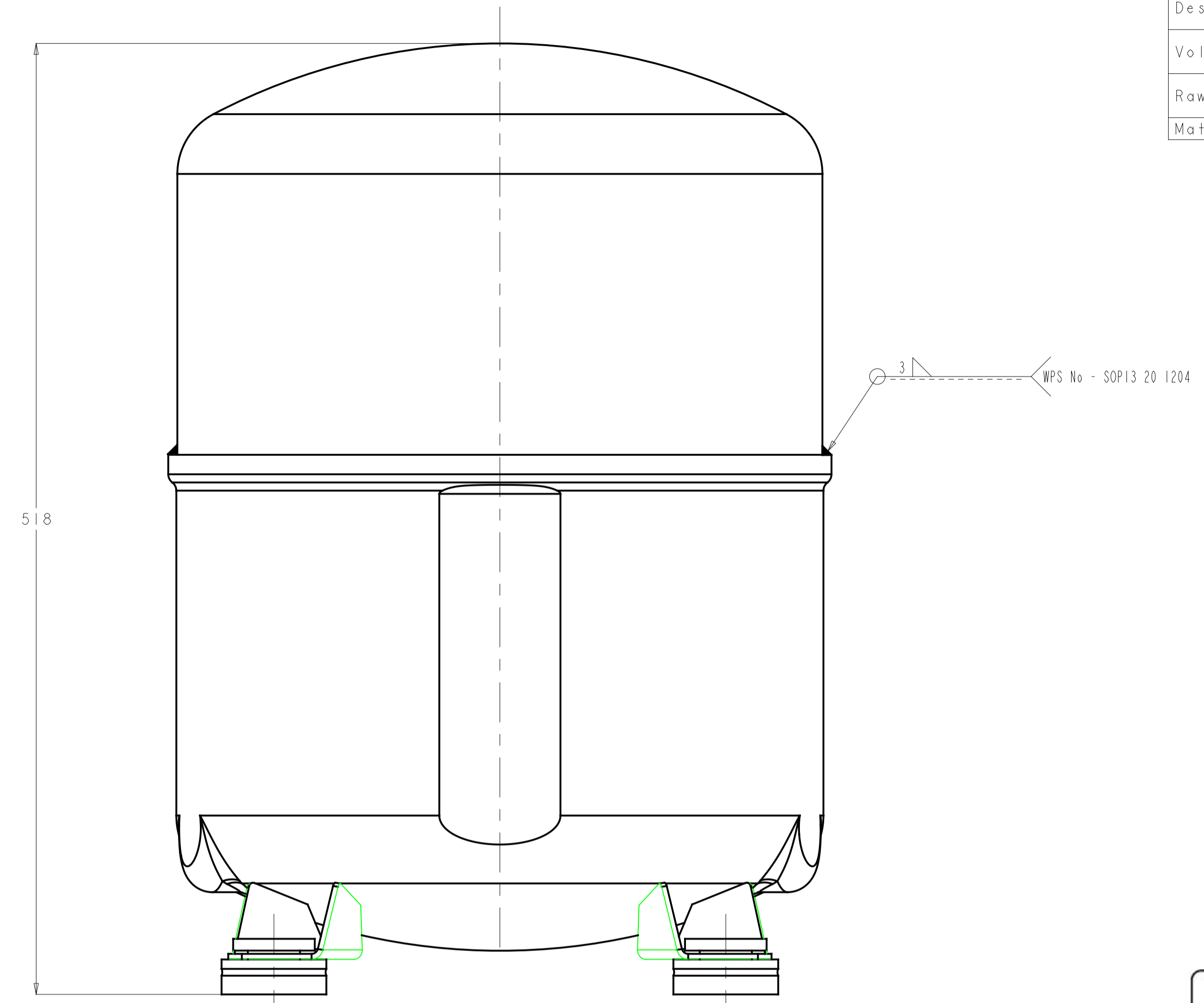
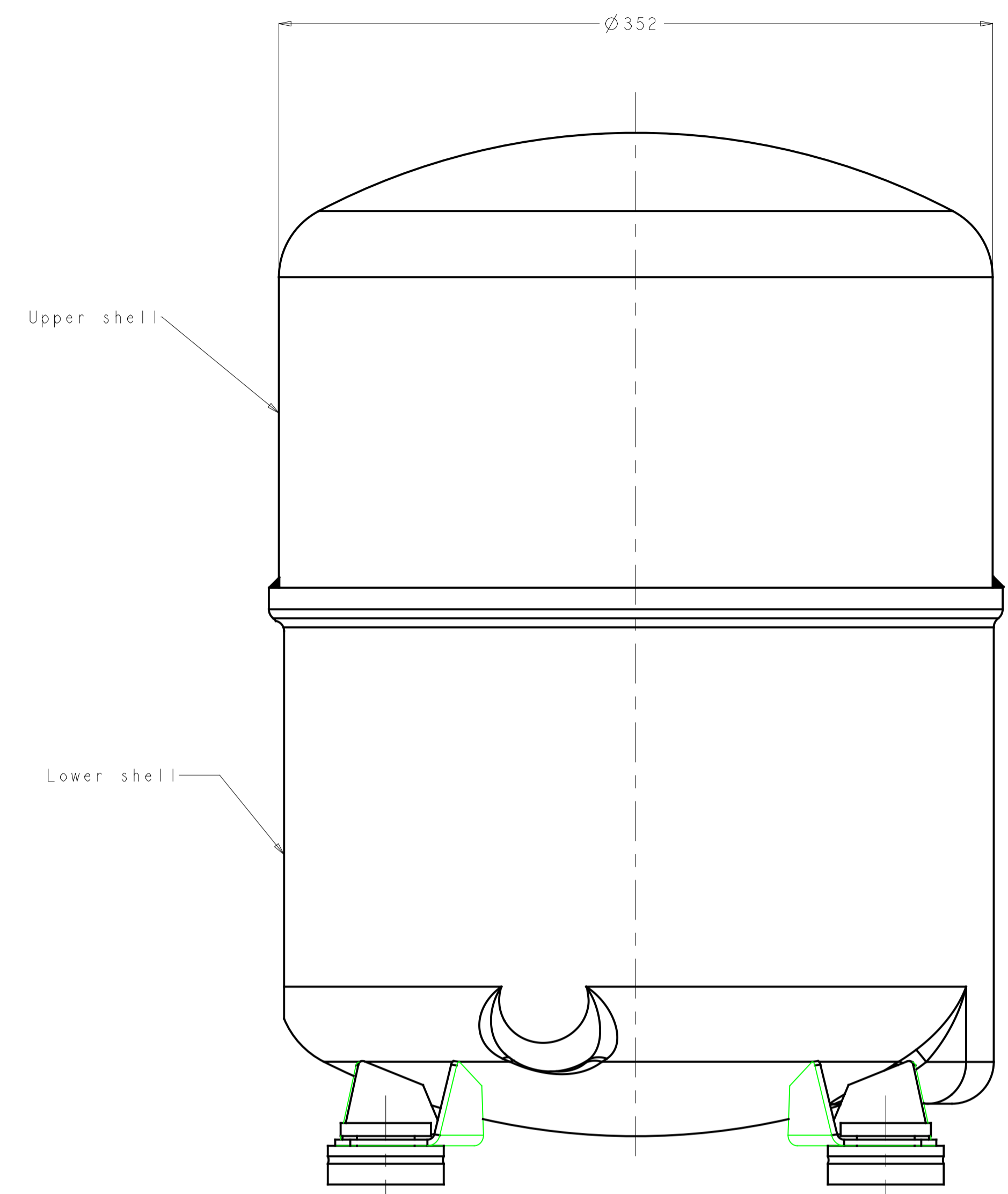
This SafeWork NSW certificate is a reissue or amendment of a certificate which may have been originally issued under our former name of WorkCover NSW.

Fee Paid: \$279.11

Receipt Date: 24/11/2017

Receipt No: 30-9686

Australian PED		
Design code	EN 13445 EN 14276-1	
AS 4343 Hazard Level	C	
Design temperature in °C	HP	68
	LP	50
Design pressure in bar	HP	29.4
	LP	22.6
Volume in litre	HP	1.2
	LP	33
Raw material Shell thickness	Upper shell	3.2 mm
	Lower shell	3.5 mm
Material grade for shell	Steel sheet EN10111-DD13	



COMPRESSOR MODELS:
 MT/MTZ100/125 -3/4/6/7/9
 NTZ215- 3/4
 NTZ271 - 3/4
 VTZ171/215- G

Example of name plate

Compressor

Danfoss
MADE IN FRANCE

ModelNo: MTZ22JC9AVE

Serialno: FB1007215698

380 V 3~ 60 Hz
 LR 22,5A 6A MAX
THERMALLY PROTECTED

LP side
 PS 22.6bar
 Ts max 50°C
 Ts min -35°C

Lubricant: P.O.E. 160 PZ

CE, UL, IEC, KCC, REFRIGERANT

Refrigerant: R407A/C/F R134a-r404A-R507

WARNING **CAUTION**

Installation and servicing shall be performed by trained personnel only. Failure to observe these safety warnings could result in serious injury or death.
ELECTRIC SHOCK HAZARD: Turn off power before servicing. (Discharge all capacitors).
 Keep terminal cover in place and securely fastened whenever power is applied to the compressor. Use this equipment on a grounded system only.
HIGH PRESSURE: System contains refrigerant and oil under pressure. Remove pressure from both the high and low side before servicing, wear safety goggles.
FIRE HAZARD: Use tubing cutter to remove compressor. Do not use torch as oil may catch fire.

Use only manufacturer's approved refrigerants, lubricants and electrical components. Unauthorized refrigerant / lubricant / electrical component could cause res, explosions, electrical shorting.

For details refer to multi language instructions and technical documentation available on Danfoss website at <http://cc.danfoss.com>

Danfoss A/S, 6430 Nordborg, Denmark
600117/01

General Tolerances Table	Drawing Status : Final			Surface Area (m ²)	Estimated Mass (kg)	Key characteristic Critical characteristic According to Danfoss standard 50220024
±1 ±*	Projection	Scale 1/1	Size A1	Material : See table		
Roughness (µm)	A	Creation 17/05/16	Date	Designation		4 Cyl Compressor 3 Phase shell 1
	Revision	ECR Number	Date	Designation		
	Designer	RAS		Designation		
	Approval	KAR		Designation		
ISO 8015 ISO 1101	Confidential: Property of Danfoss Commercial Compressors. Not to be handed over to copied or used by third party. Two or three dimensional reproduction of contents to be authorized by Danfoss CC.			Sheet 1 of 1		A
				A.10 Dwg N° 9804036 151		