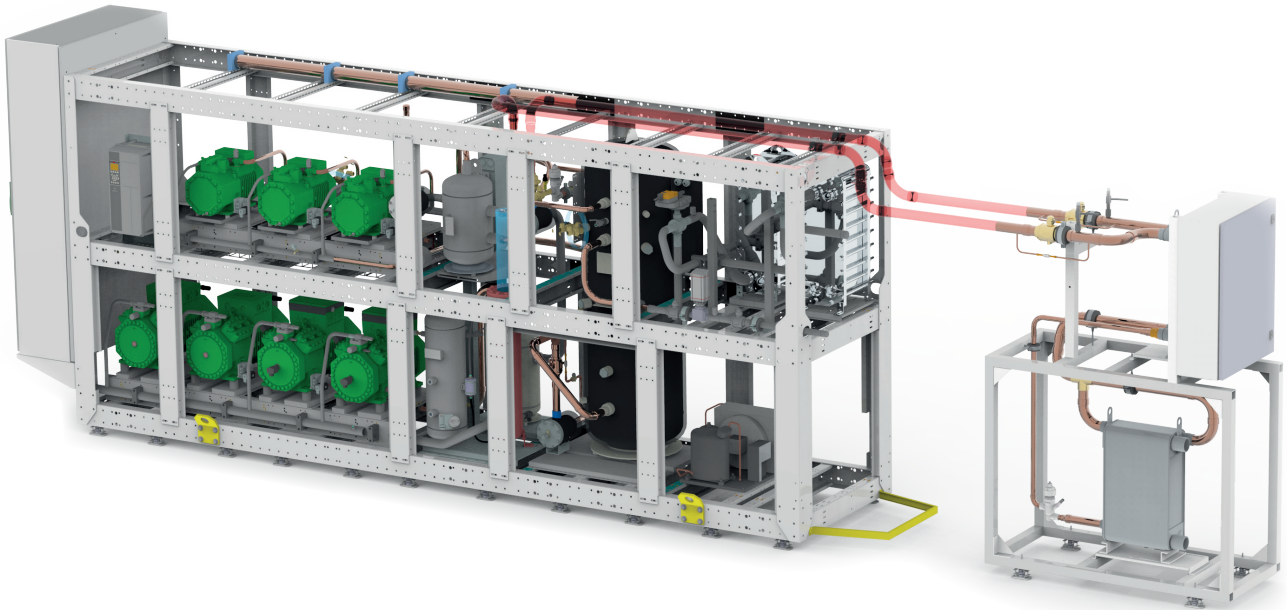


Sustainable Cold Solutions



Direct expansion chiller module

Modular, compact and easy to install also in existing plant

Wide range of capacity from 25 to 250 kW

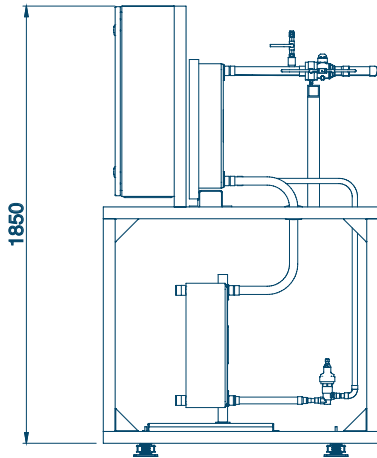
Suitable for all non-corrosive brine

Carel and Danfoss controller available

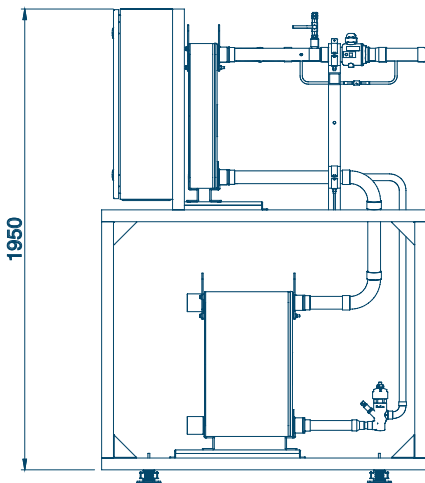
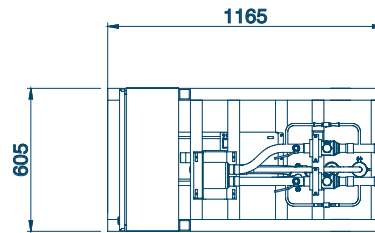
Model	Evaporator informations					Frame dimensions			Power supply	Weight
	@-12°C SST MPG 38% -4/-8°C	Brine mass flow	Pressure drop	Water Connections		Lenght	Width	Height		
	[kW]	[mc/h]	kPa	Type	inch	mm	mm	mm	V/Ph/Hz	kg
CM S 52-70	25	5.96	41	Threaded ext	1 1/4"	1165	605	1850	230/1/50	169
CM S 112-60	50	11.93	55	Threaded ext	2 1/2"	1165	605	1850	230/1/50	171
CM S 112-90	75	17.9	55	Threaded ext	2 1/2"	1165	605	1850	230/1/50	182
CM S 112-110	100	23.8	63	Threaded ext	2 1/2"	1165	605	1850	230/1/50	190
CM M 112-150	125	29.8	63	Threaded ext	2 1/2"	1375	605	1950	230/1/50	237
CM M 112-160	150	35.8	76	Threaded ext	2 1/2"	1375	605	1950	230/1/50	239
CM L 112-190	175	41.7	64	Flanged PN16	4"	1500	900	1950	230/1/50	389
CM L 112-210	200	47.7	67	Flanged PN16	4"	1500	900	1950	230/1/50	358
CM L 212-160	250	59.6	54	Flanged PN16	4"	1500	900	1950	230/1/50	440

Dimensions

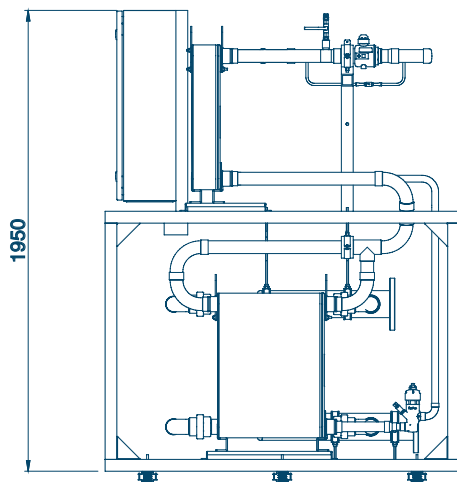
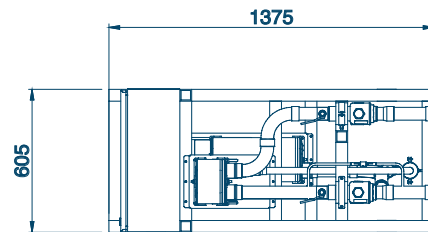
CHILLER
MODULE



CM S 52-70
CM S 112-60
CM S 112-90
CM S 112-110



CM M 112-150
CM M 112-160



CM L 112-190
CM L 112-210
CM L 212-160

